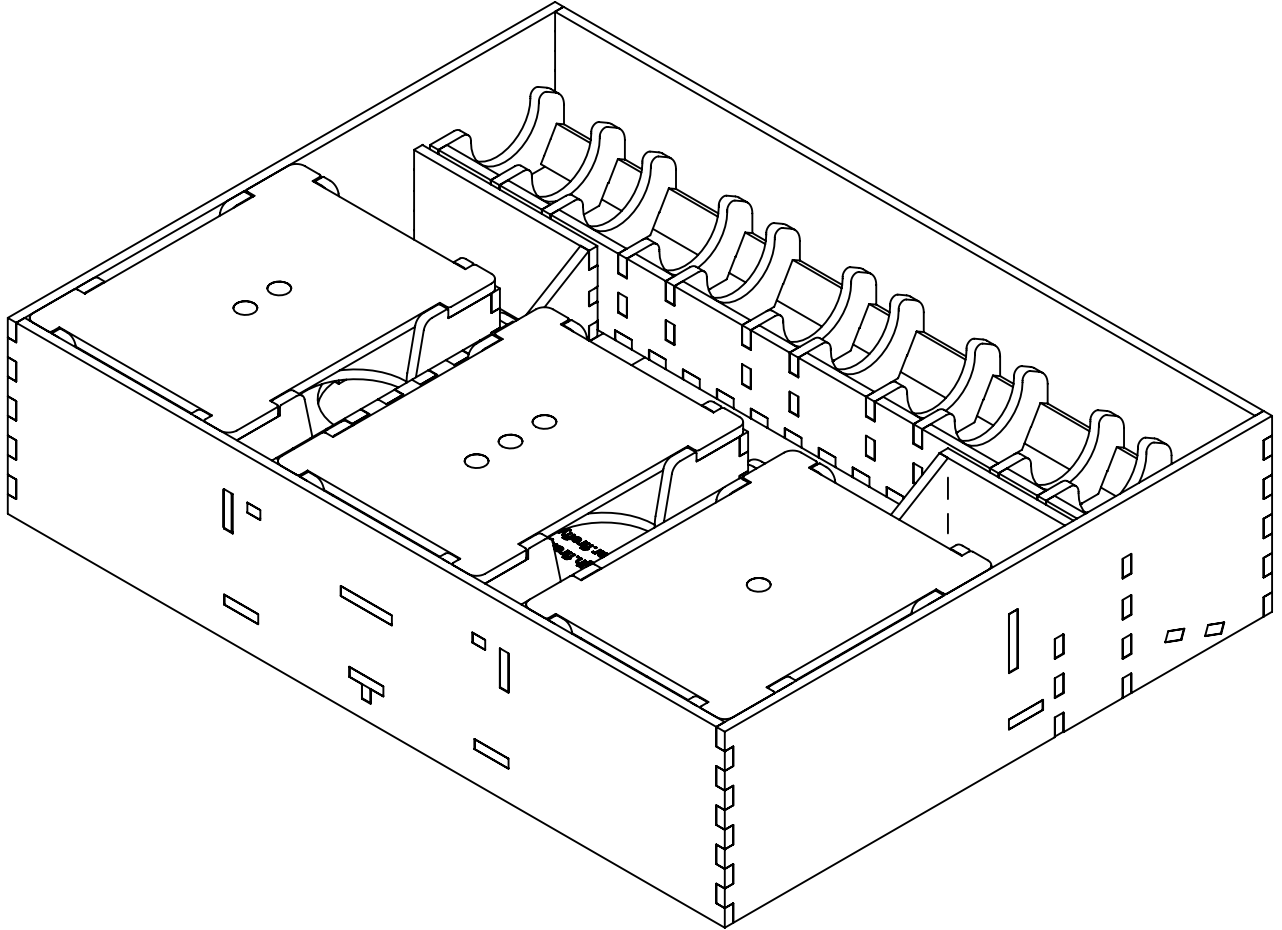


Splendor Box Organizer

By R&H Firefly Workshops



Box Organizer Includes:

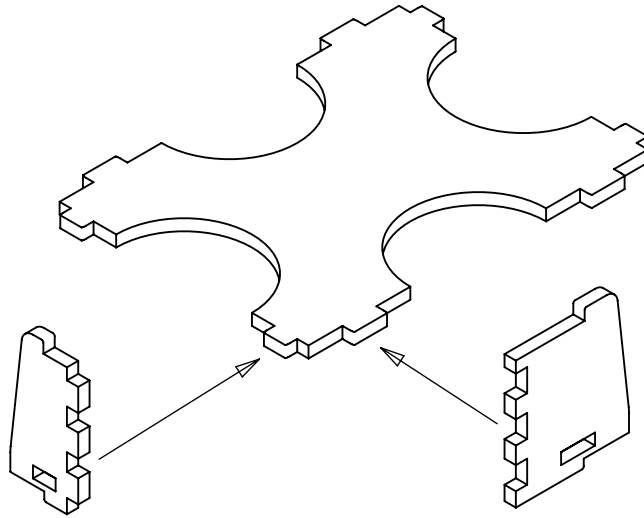
- Step by Step Instructions
- Removable Card Tray (Qty. 5)
- Removable Chip Tray (Qty. 1)
- Removable Tray Lid (Qty. 3)

Have a missing/damaged part? Have questions or comments?
Contact us at:

njh.fireflyworkshop@gmail.com
rar.fireflyworkshop@gmail.com

Splendor Box Organizer

By R&H Firefly Workshops



*Tip - Fully assemble each step to ensure a proper fit and location of every piece. All separators and dividers will be flush on the top/ends when properly installed unless shown otherwise.

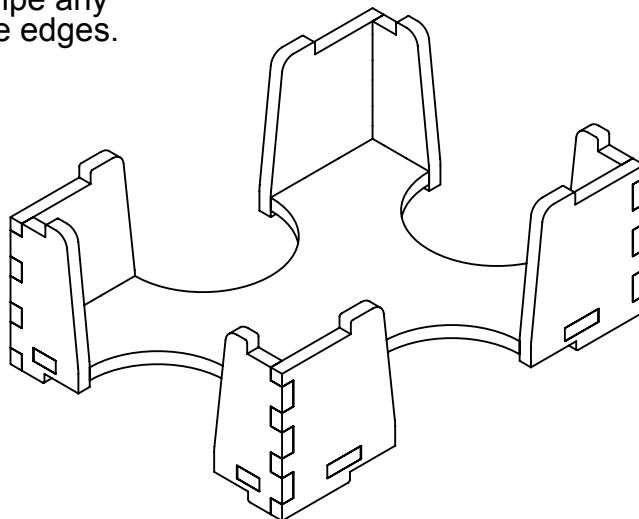
Once each step is assembled correctly, disassemble and reassemble while adding a small drop of super glue to every intersection where the parts slide together. Then use paper towel to wipe any excess glue off of the edges.

Step 1: Separate all of the pieces from their frames.

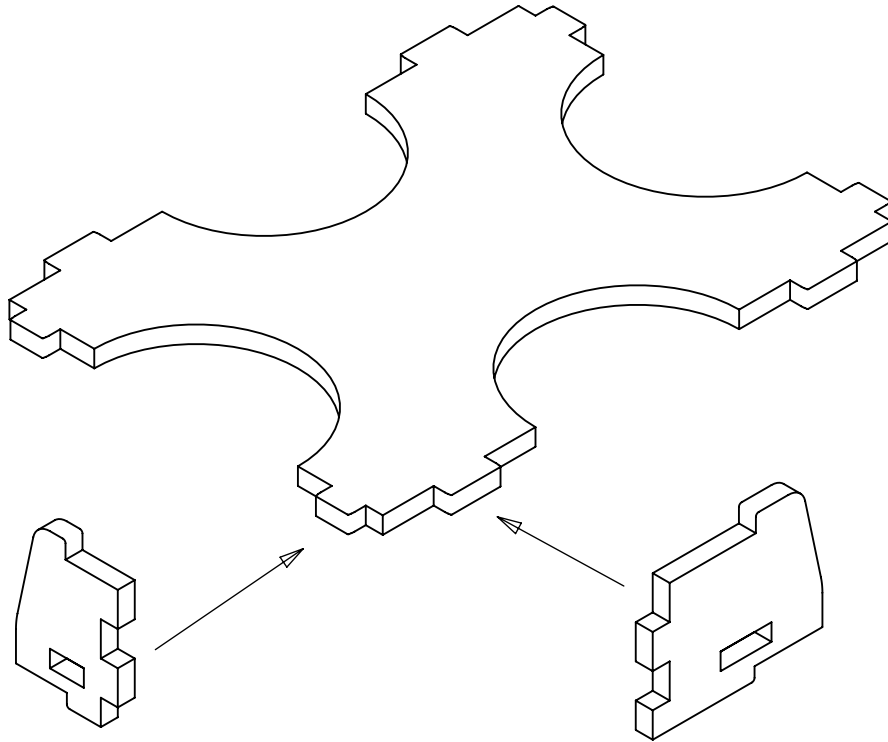
Step 2: Begin by assembling the Tall Corner Pieces as shown. Repeat this for all 4 of the corners.

Repeat this step 2 times.

Set aside until Final Assembly.



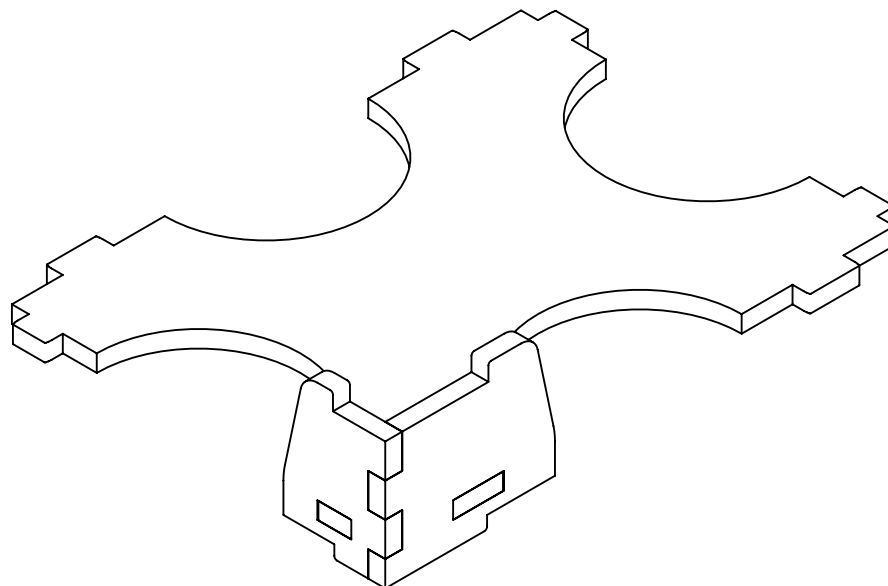
Splendor Box Organizer (con't)



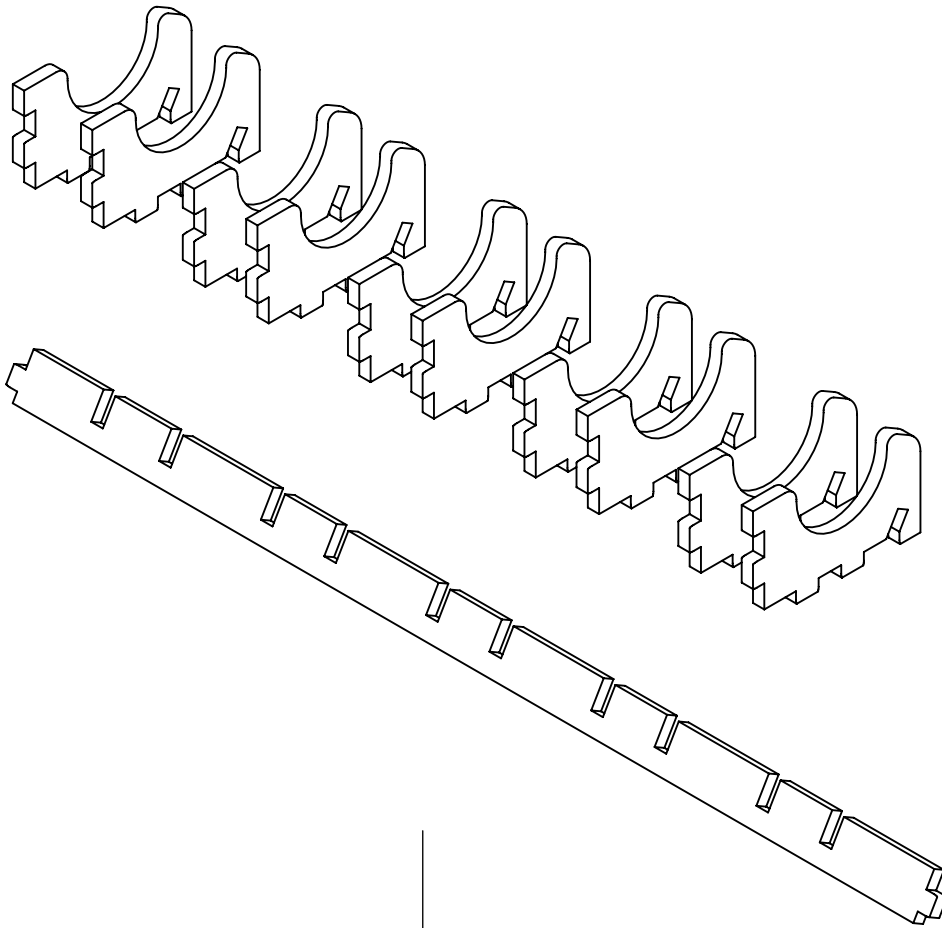
Step 3: Begin by assembling the Tall Corner Pieces as shown. Repeat this for all 4 of the corners.

Repeat this step 3 times.

Set aside until Final Assembly.

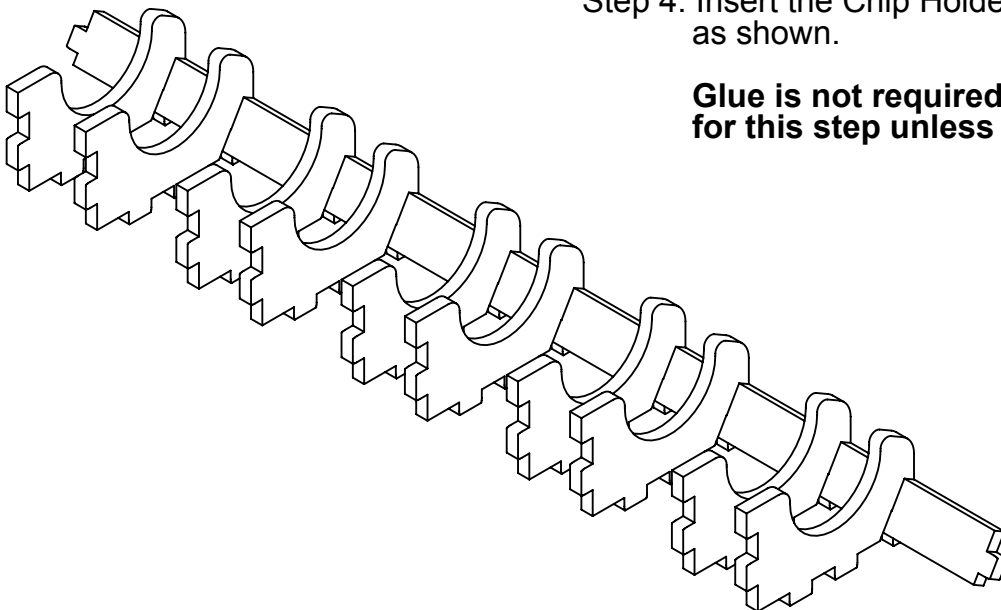


Splendor Box Organizer (con't)

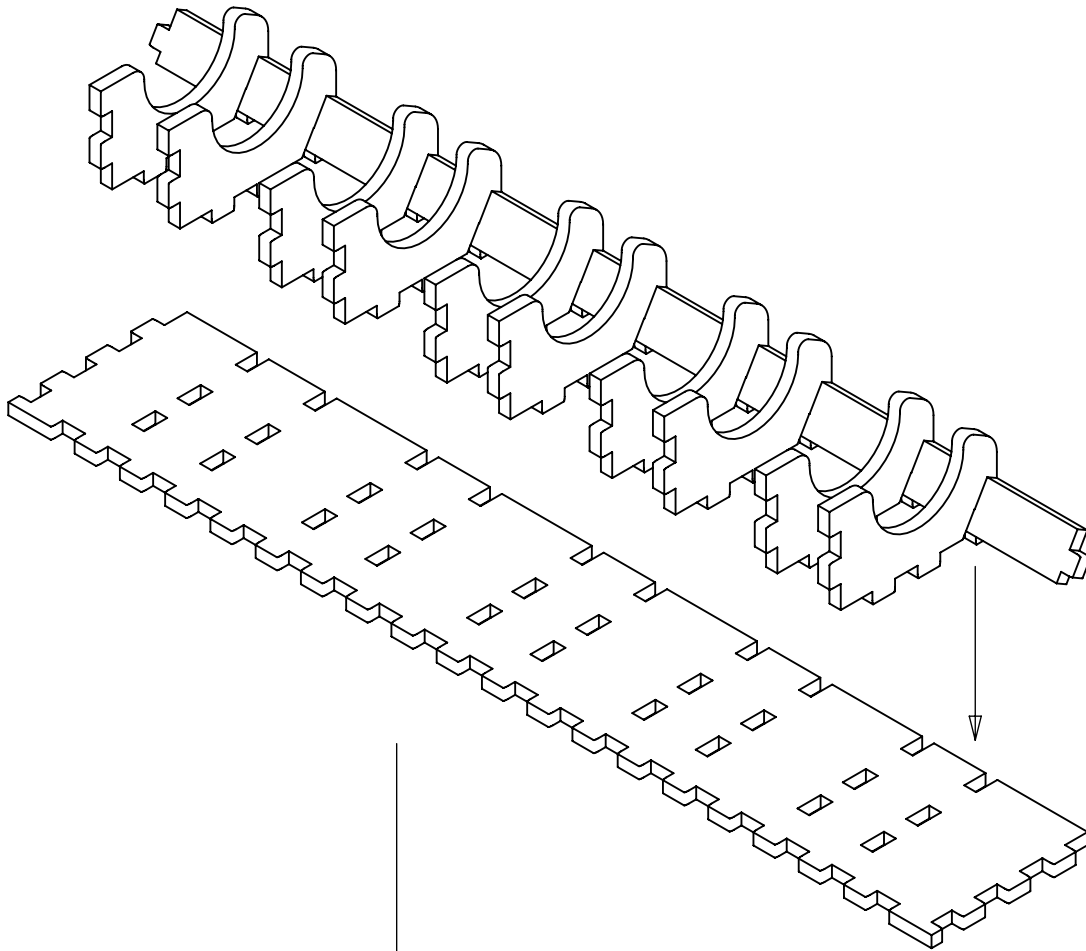


Step 4: Insert the Chip Holder Dividers as shown.

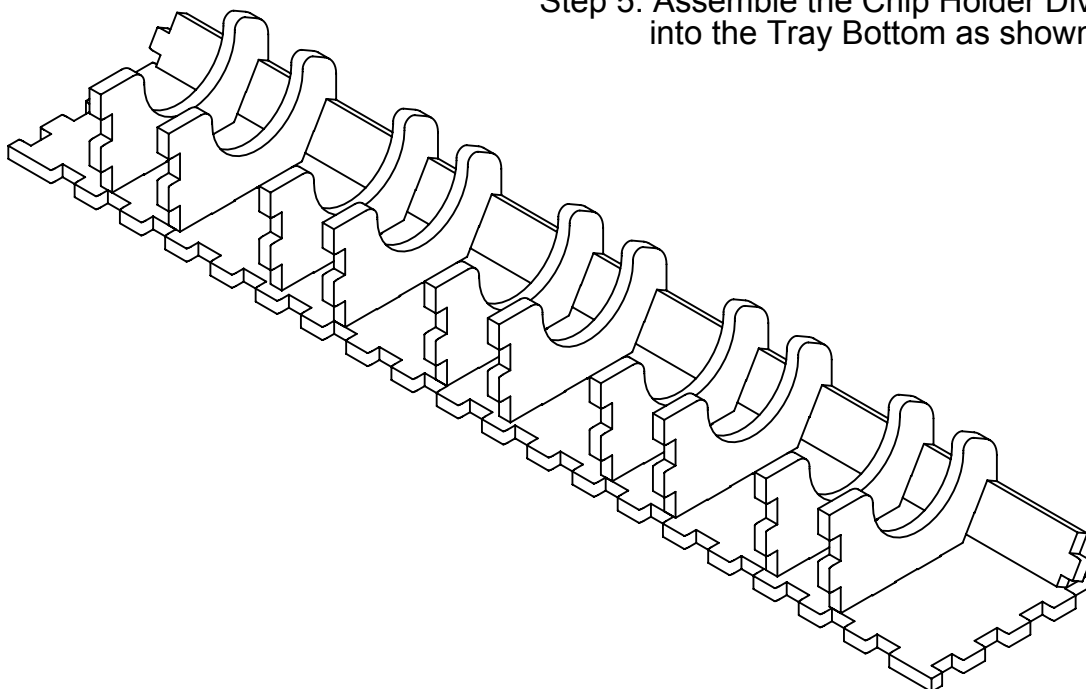
Glue is not required for this step unless desired.



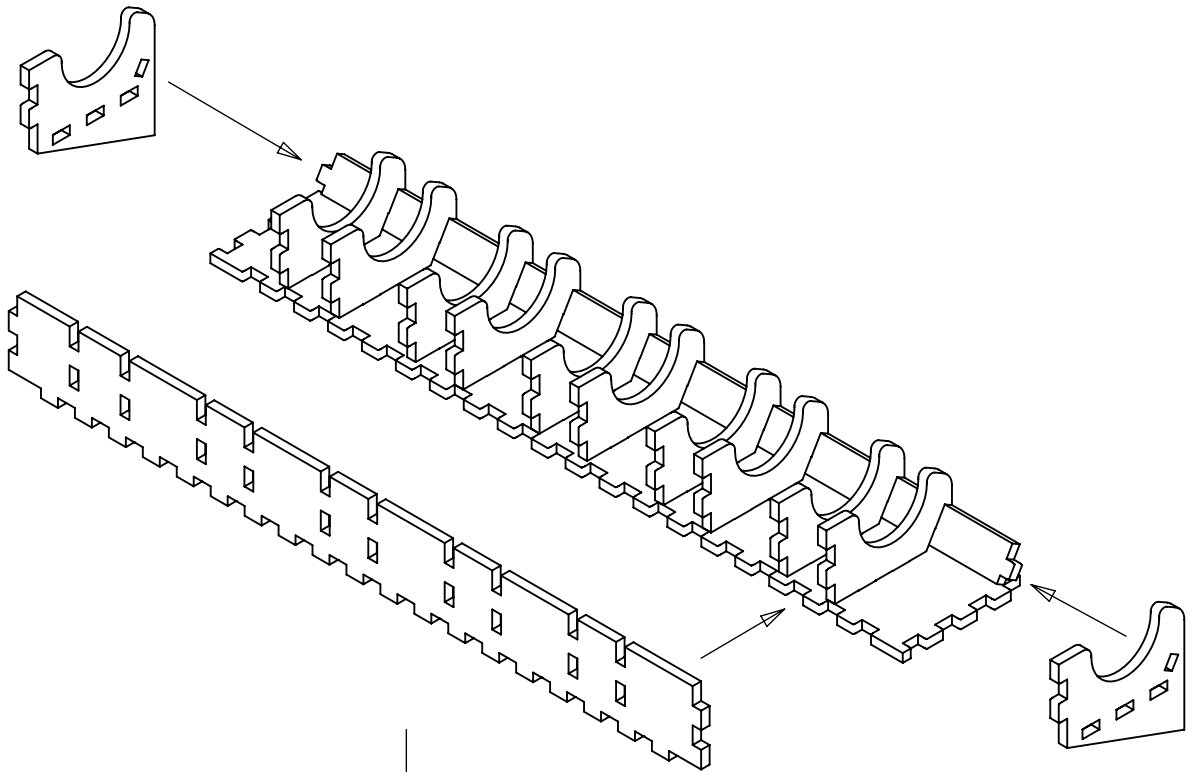
Splendor Box Organizer (con't)



Step 5: Assemble the Chip Holder Dividers into the Tray Bottom as shown.

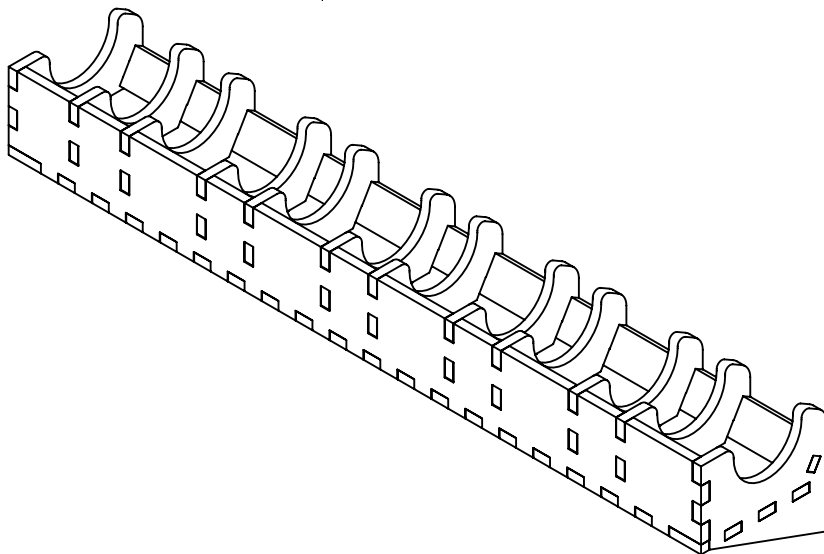


Splendor Box Organizer (con't)

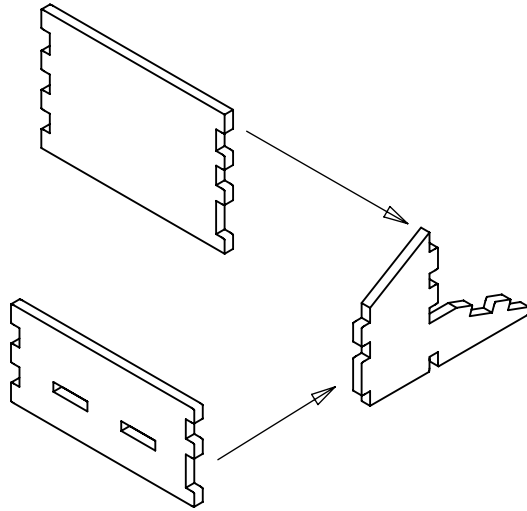


Step 6: Assemble the Side and Back Dividers as shown.

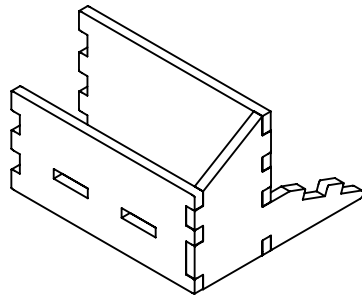
Set aside until Final Assembly.



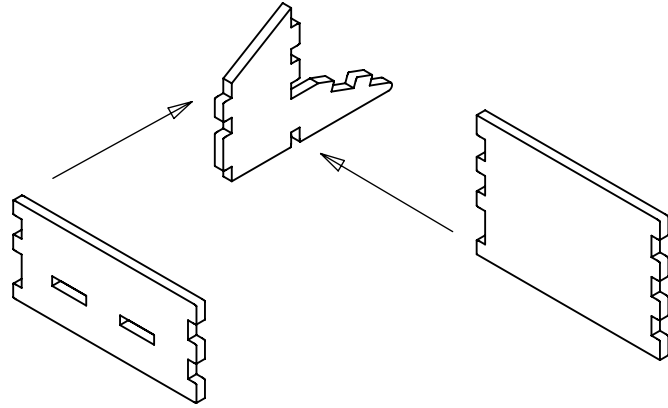
Splendor Box Organizer (con't)



Step 7: Assemble the Left Noble Card Holder as shown. Set aside until step 12.

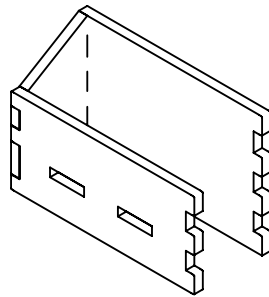


Splendor Box Organizer (con't)

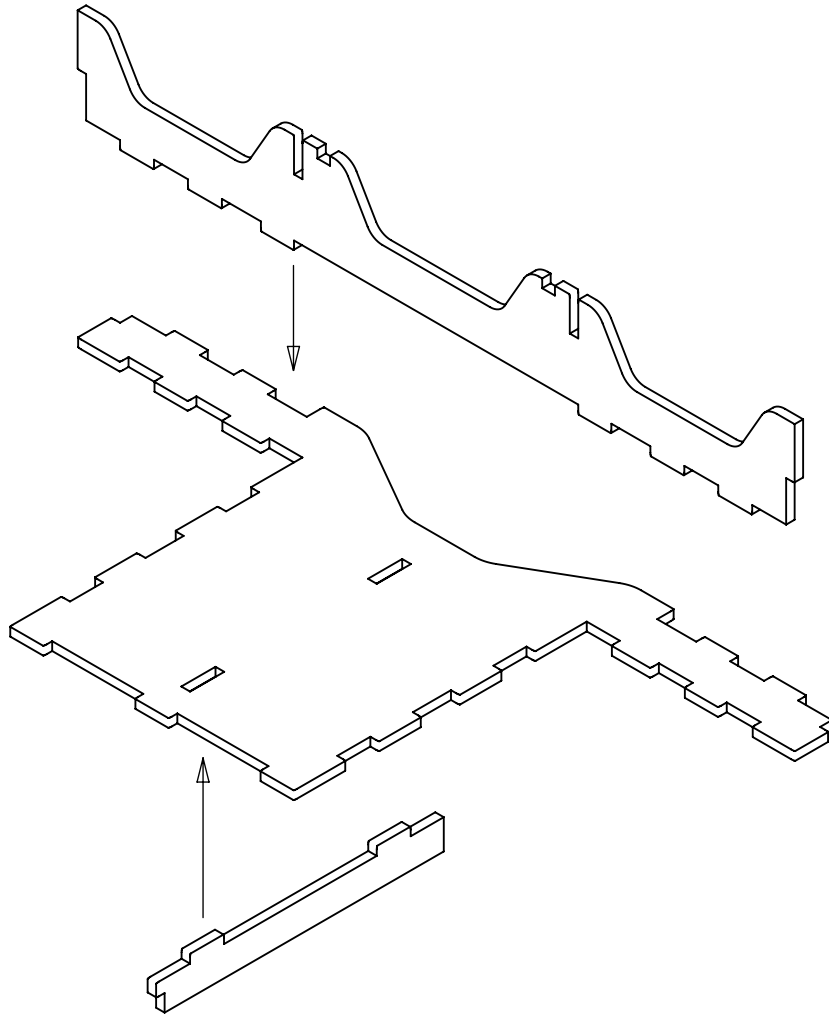


Step 8: Assemble the Right Noble Card Holder as shown. Set aside until step 13.

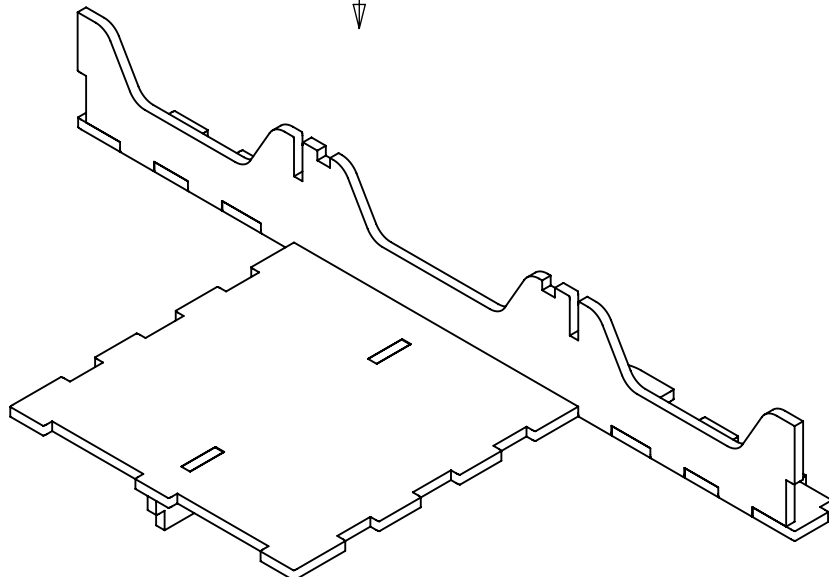
***Please note that the finished parts from Step 7 & Step 8 are mirror images of each other.**



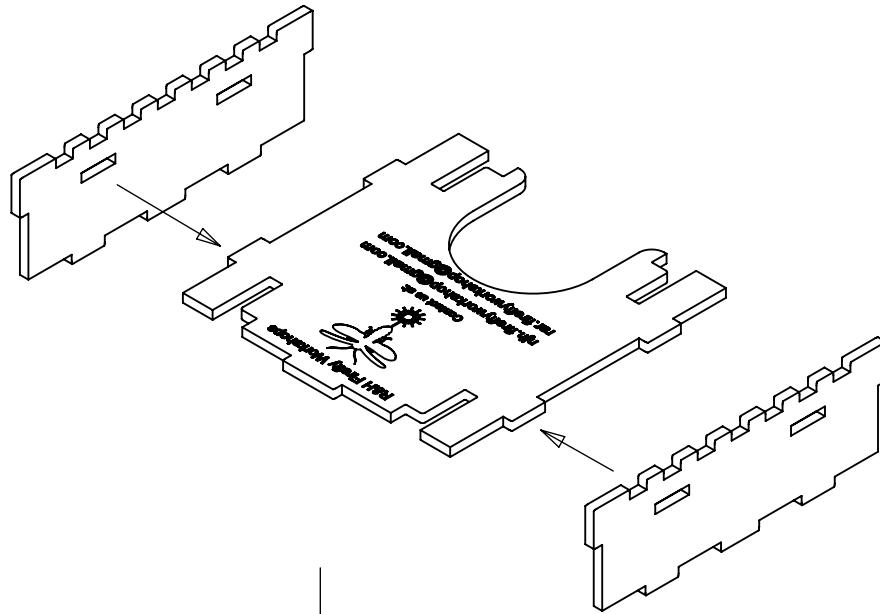
Splendor Box Organizer (con't)



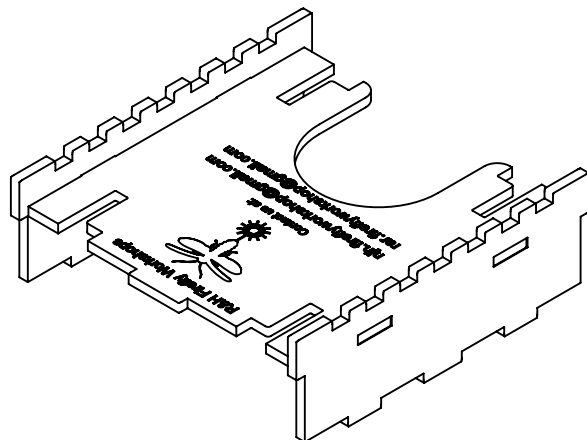
Step 9: Assemble the Card Separator Platform as shown. Set aside until step 10.



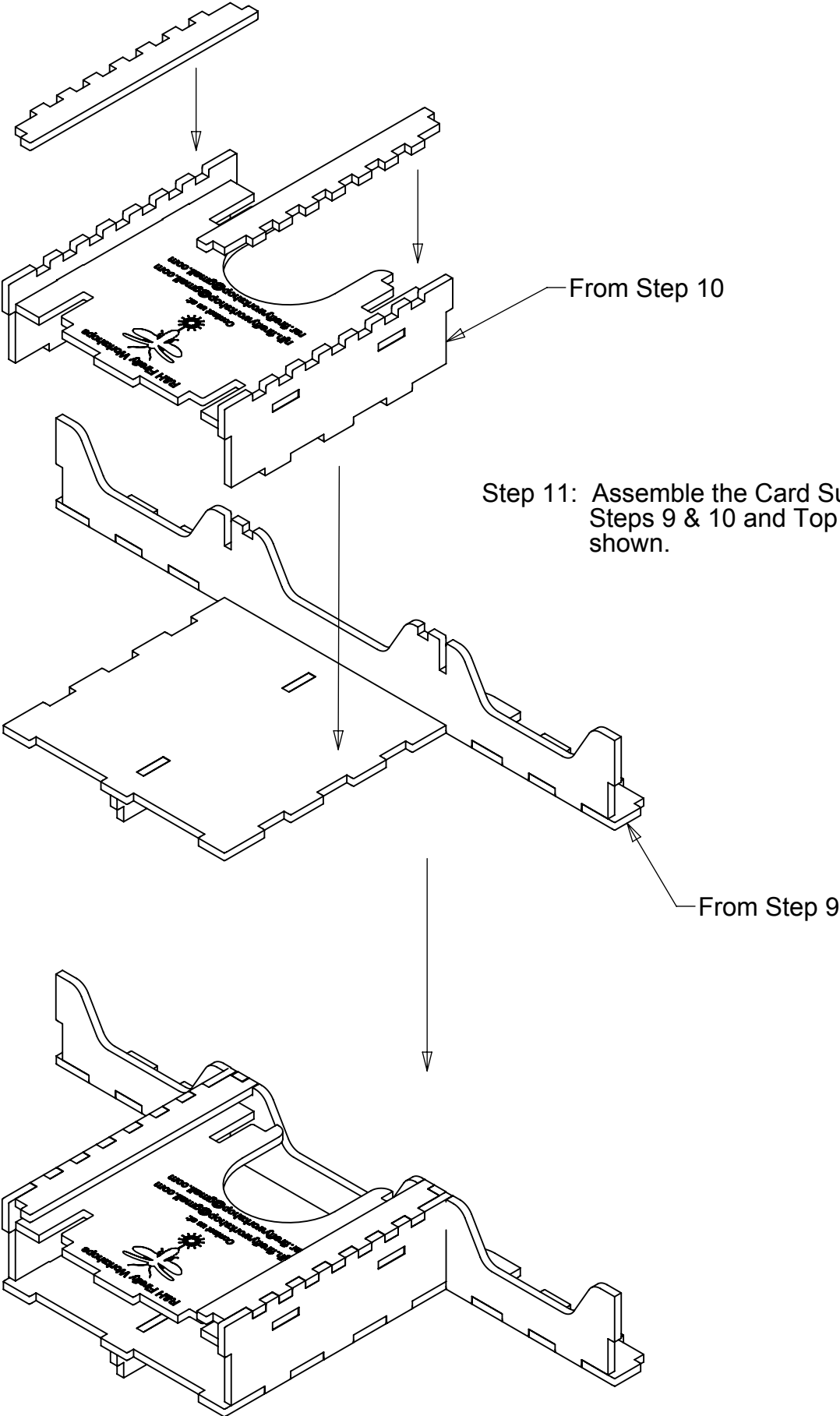
Splendor Box Organizer (con't)



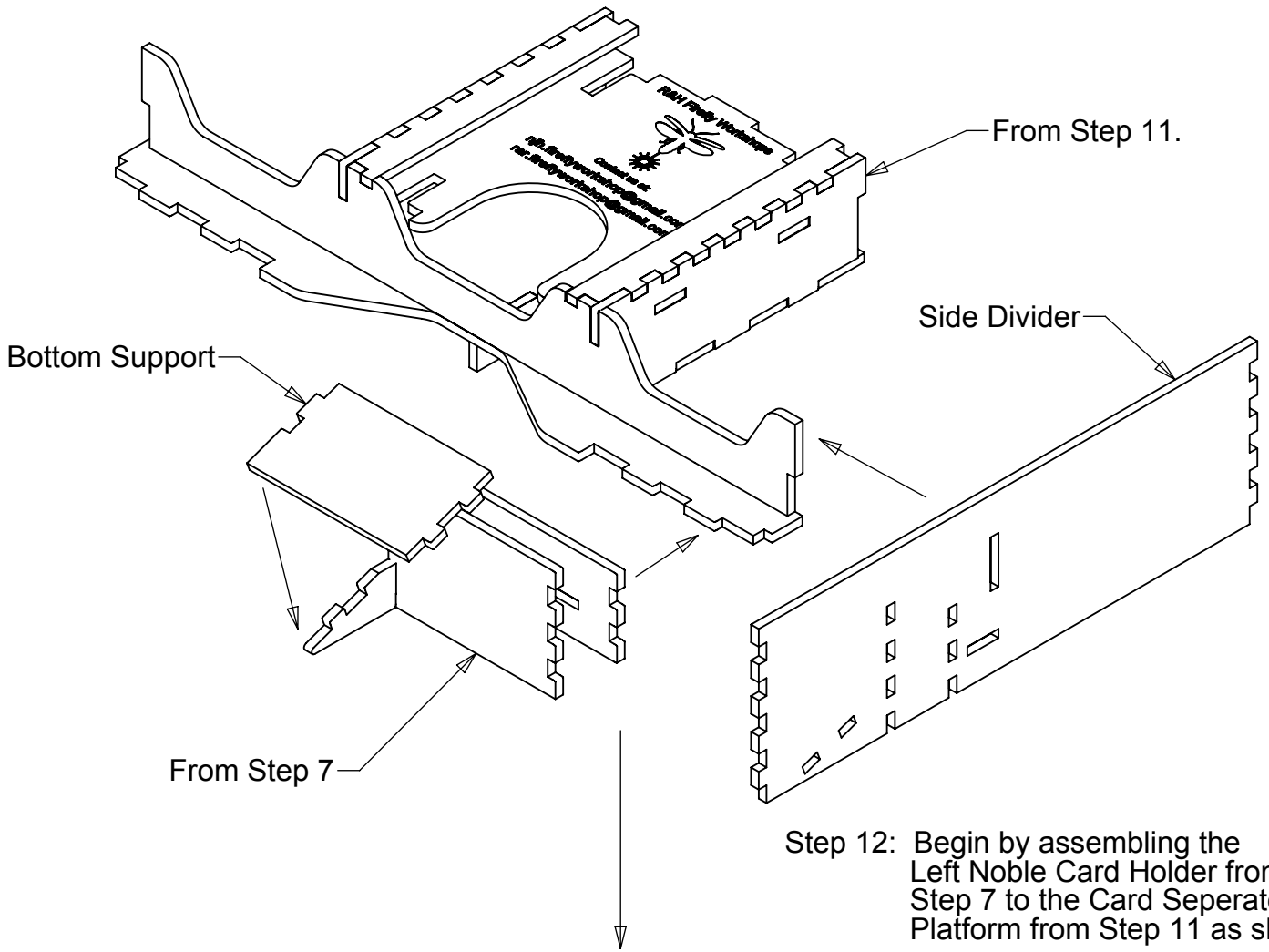
Step 10: Assemble the Side Plates onto the Logo Plate as shown.



Splendor Box Organizer (con't)

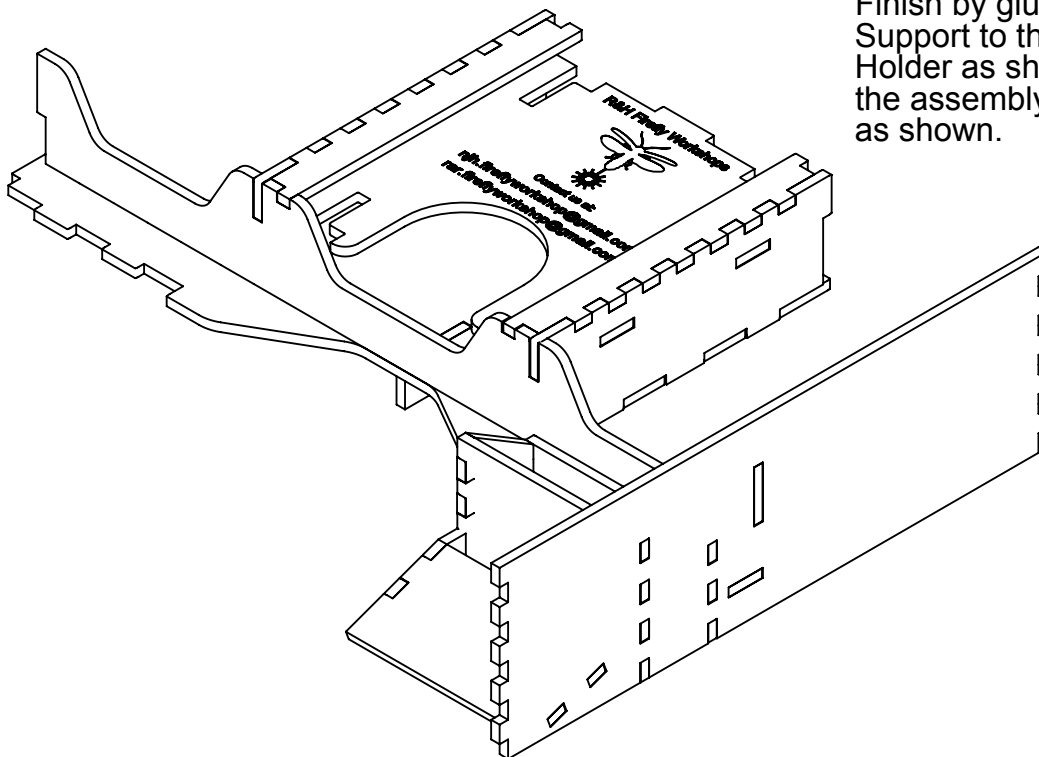


Splendor Box Organizer (con't)

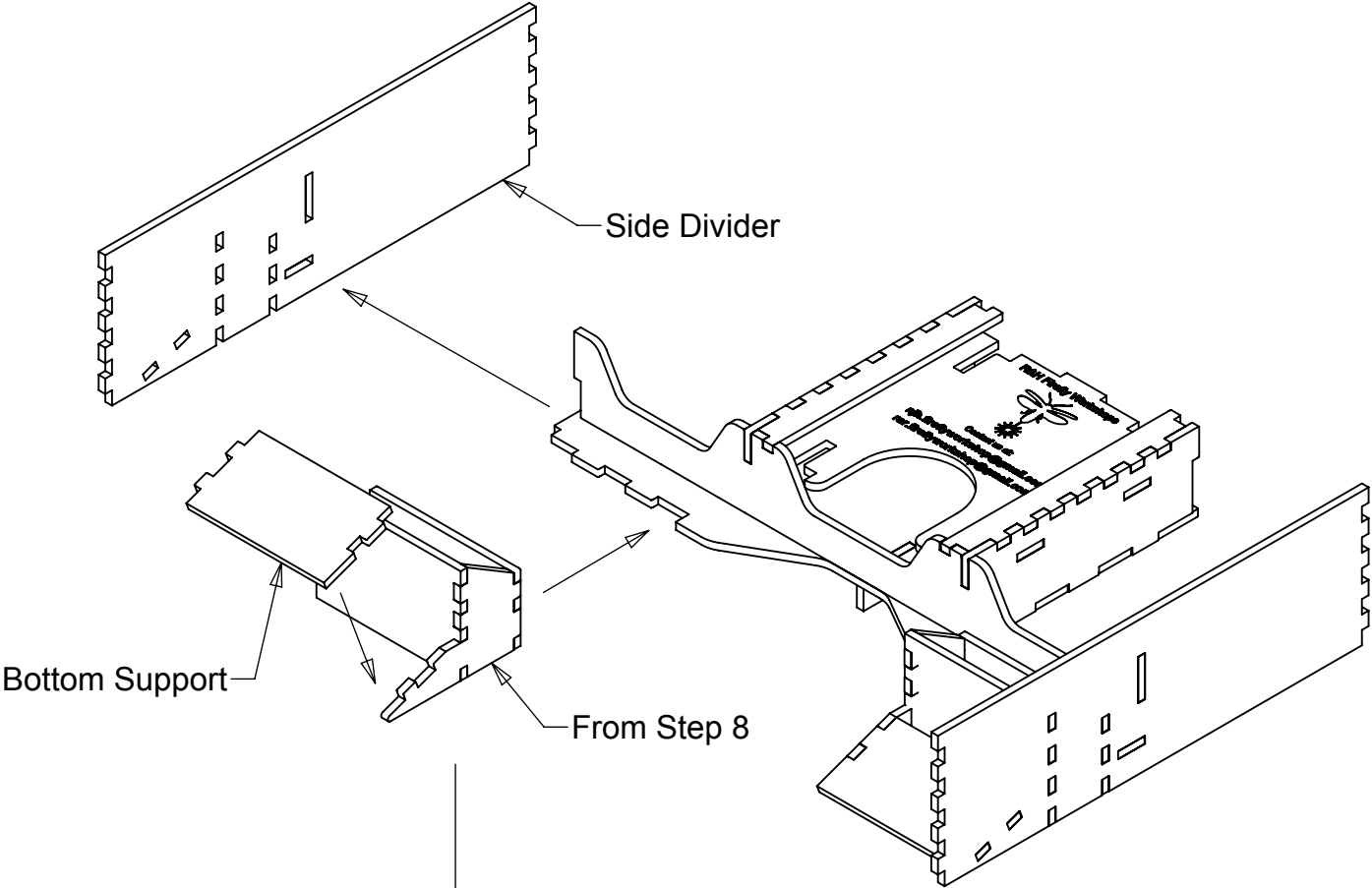


Step 12: Begin by assembling the Left Noble Card Holder from Step 7 to the Card Separator Platform from Step 11 as shown.

Finish by glueing the Bottom Support to the Left Noble Card Holder as shown and attaching the assembly to the Side divider as shown.

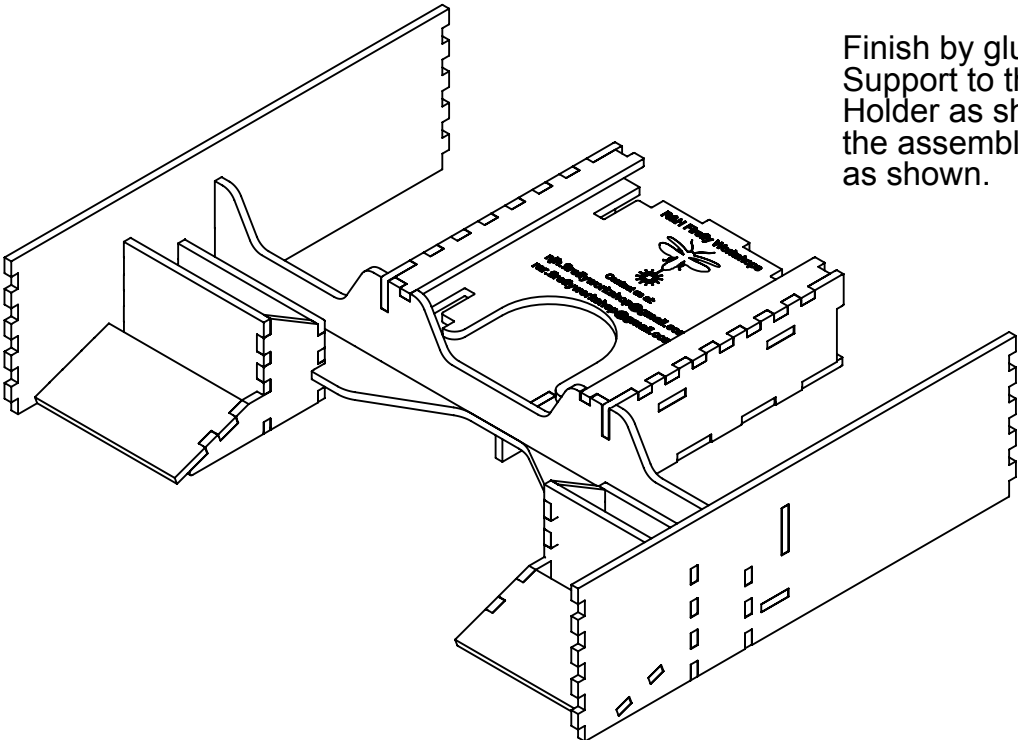


Splendor Box Organizer (con't)

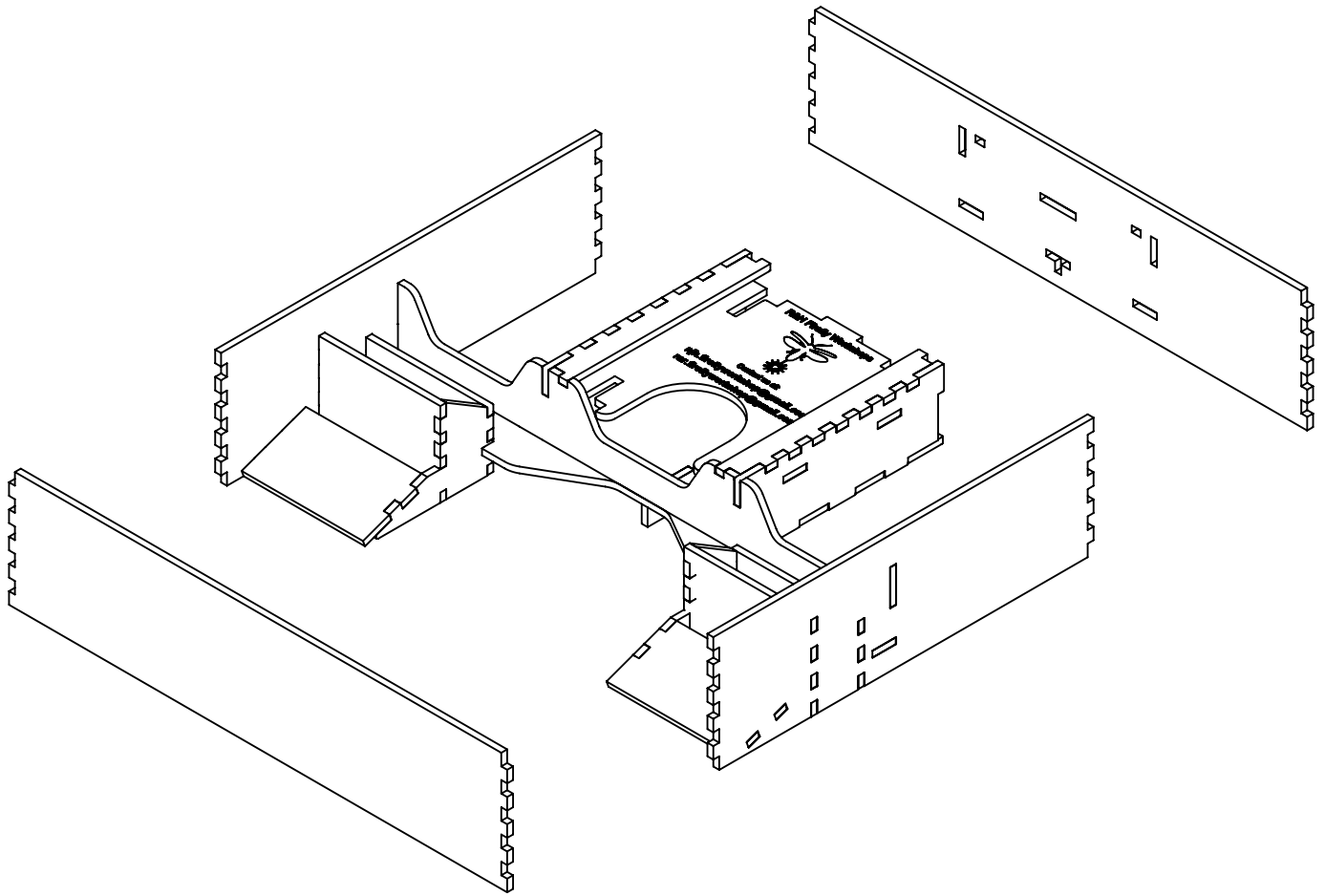


Step 13: Begin by assembling the Right Noble Card Holder from Step 8 to the Card Separator Platform from Step 11 as shown.

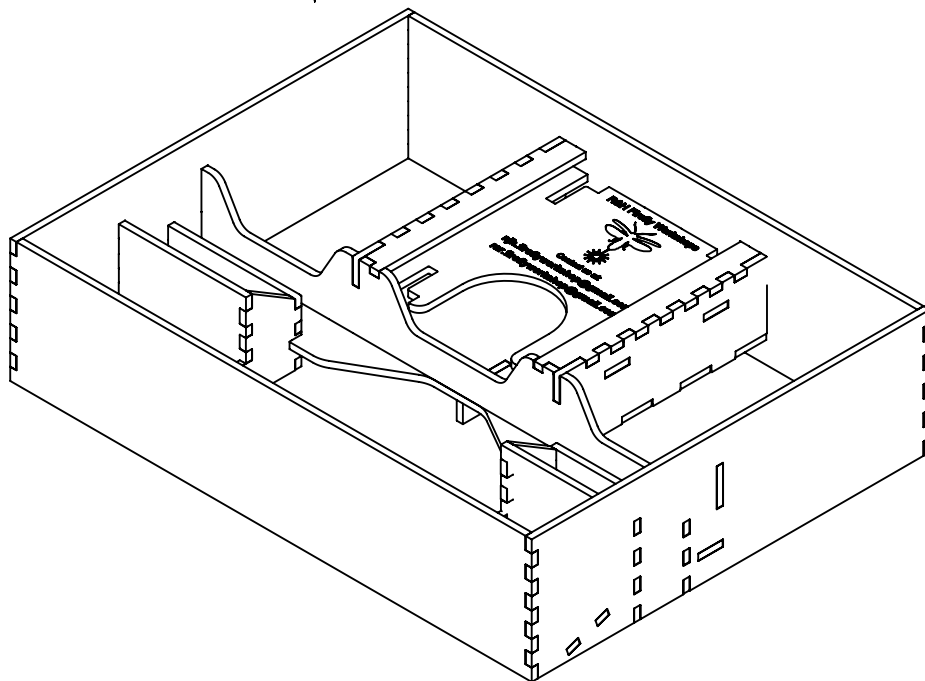
Finish by glueing the Bottom Support to the Right Noble Card Holder as shown and attaching the assembly to the Side divider as shown.



Splendor Box Organizer (con't)



Step 14: Attach the Front and Rear Dividers as shown.



Splendor Box Organizer (con't)

Step 15: Finish by inserting the Card and Token Trays as well as the 4 Removable Dividers into the main organizer assembly as shown. Do not glue the trays in place.

***Do not glue the dividers in place unless desired.**

