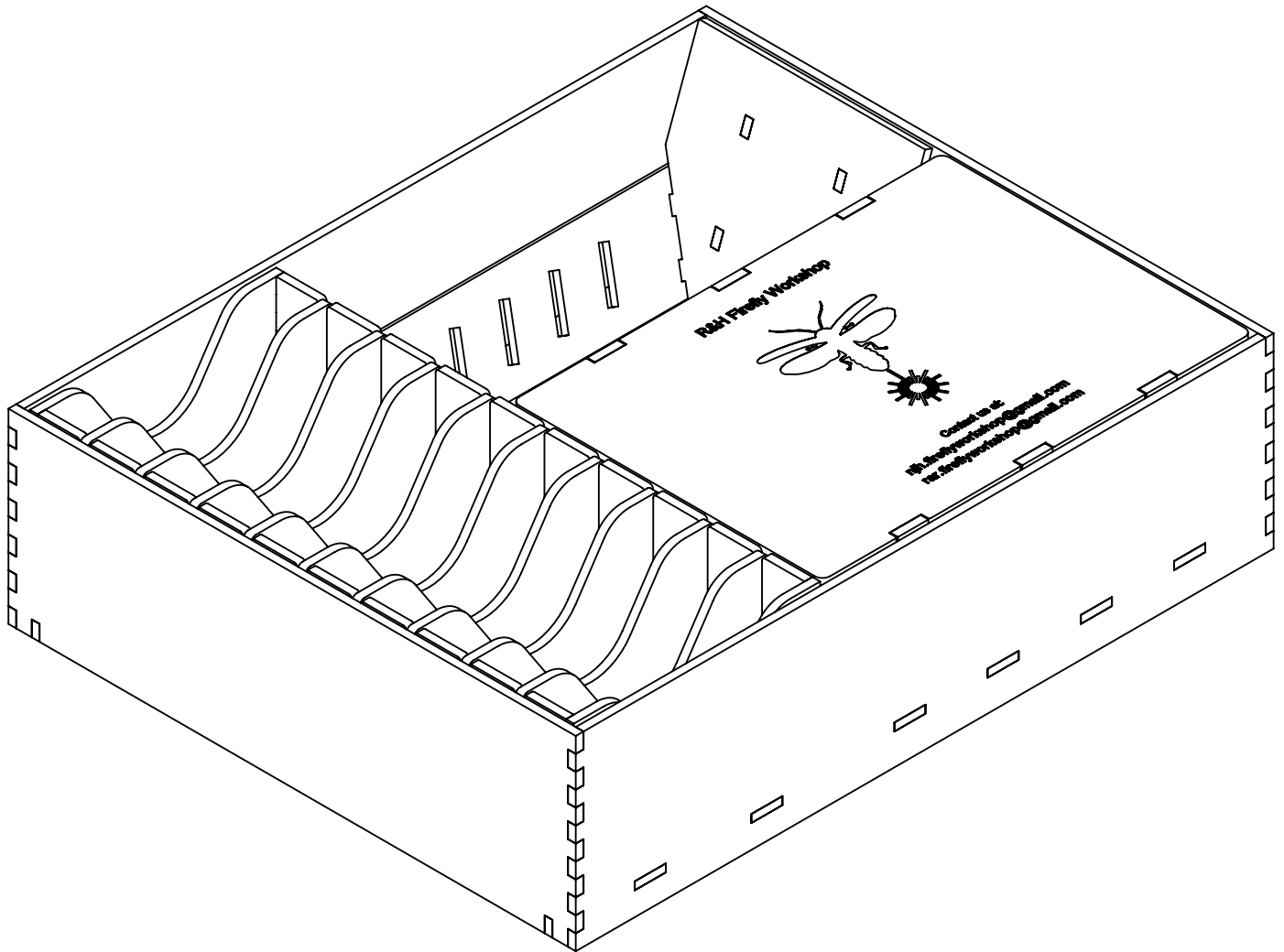


Settlers of Catan Box Organizer

By R&H Firefly Workshops



Box Organizer Includes:

- Step by Step Instructions
- Removable Card Tray (Qty. 1)
- Removable Token Tray (Qty. 2)
- Removable Token Tray Lid (Qty. 1)
- Removable Card Dividers (Qty. 9)

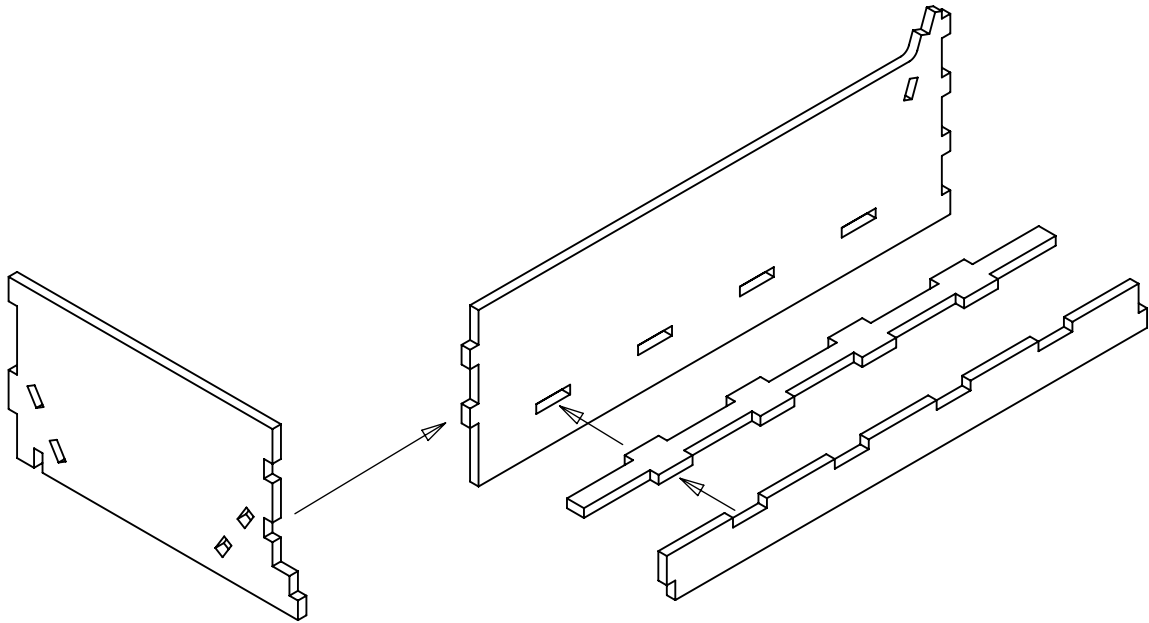
Need extra Card Dividers or have missing/damaged parts? Have comments or questions?

Contact us at:

njh.fireflyworkshop@gmail.com
rar.fireflyworkshop@gmail.com

Settlers of Catan Box Organizer

By R&H Firefly Workshops

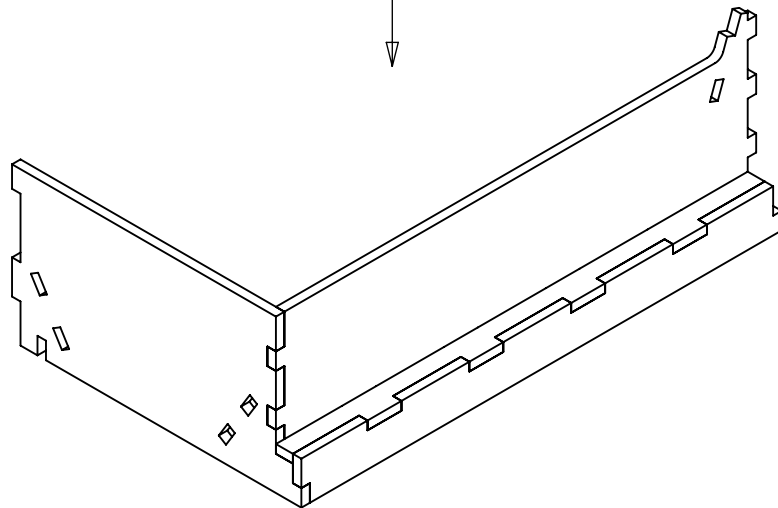


*Tip - Fully assemble each step to ensure a proper fit and location of every piece. All separators and dividers will be flush on the top when properly installed.

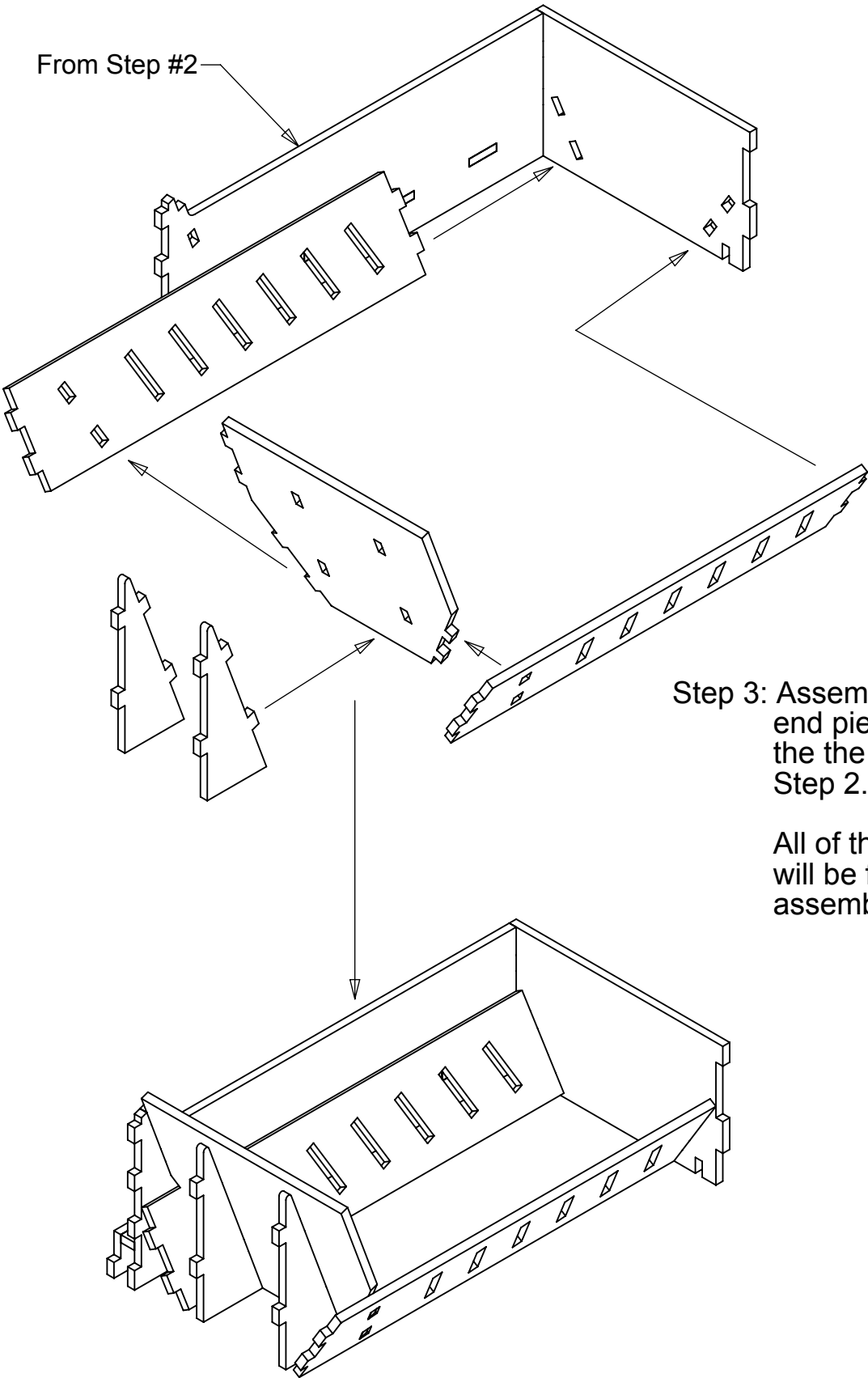
Once each step is assembled correctly, disassemble and reassemble while adding a small drop of super glue to every intersection where the parts slide together. Wipe all super glue off of the outside edges with a clean rag.

Step 1: Separate all of the pieces from their frames.

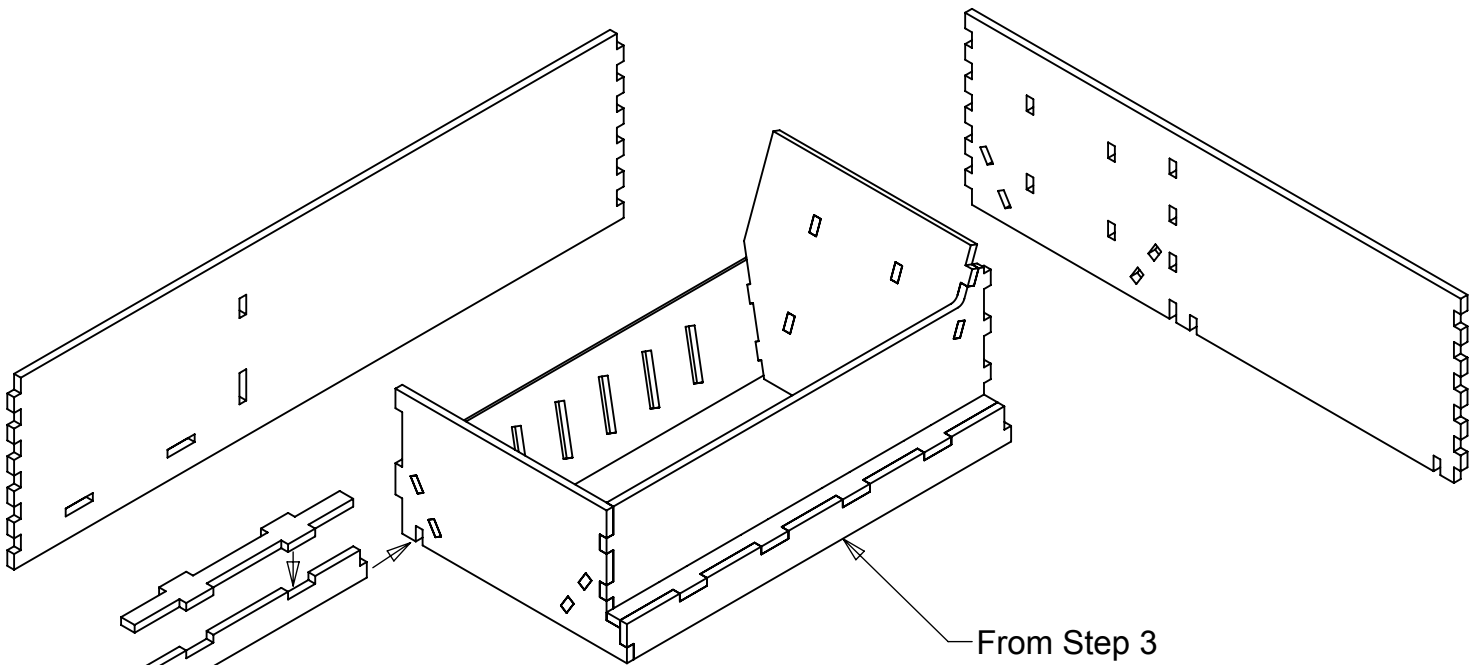
Step 2: Begin assembling the Resource Tile holder as shown.



Settlers of Catan Box Organizer (con't)



Settlers of Catan Box Organizer (con't)

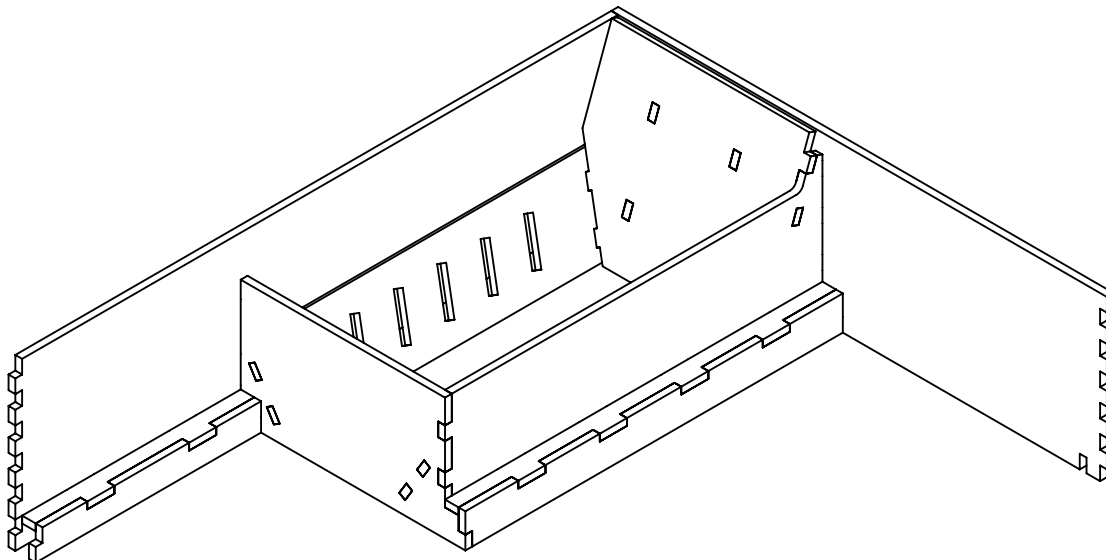


Tray Ledge

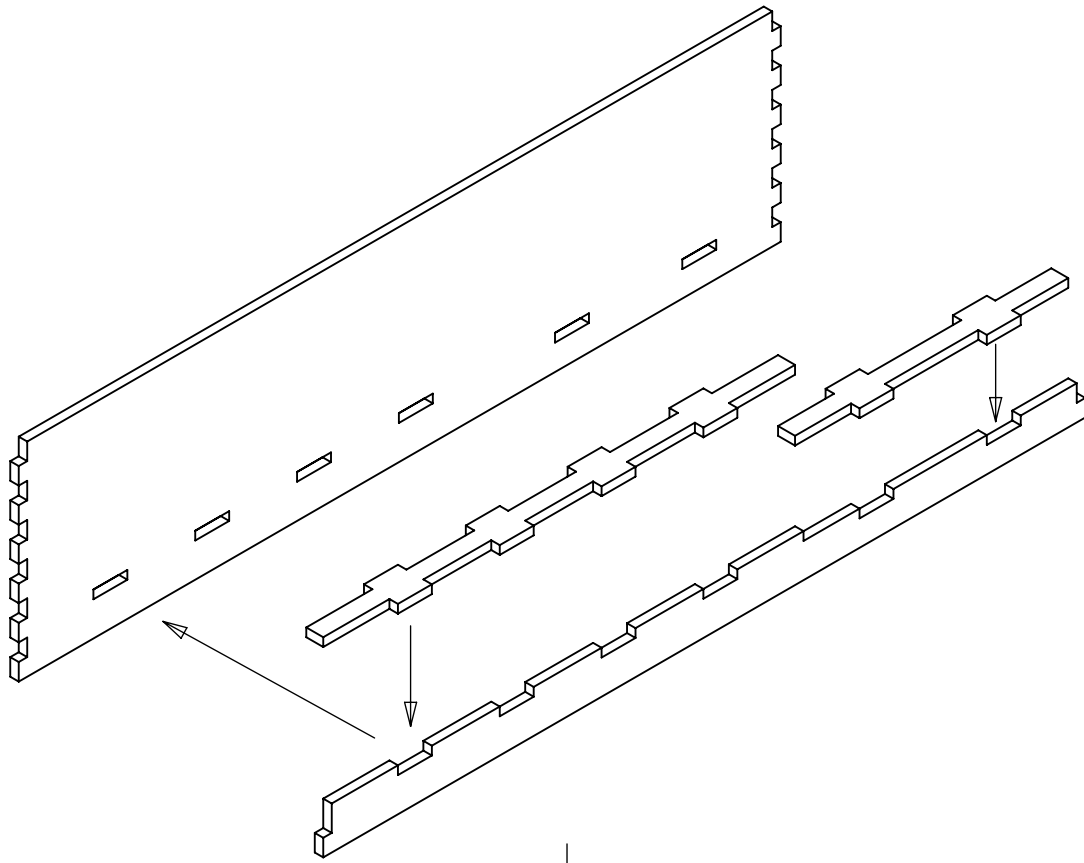
From Step 3

*Tip - Assemble and glue the Tray Ledge in place before attaching the long side.

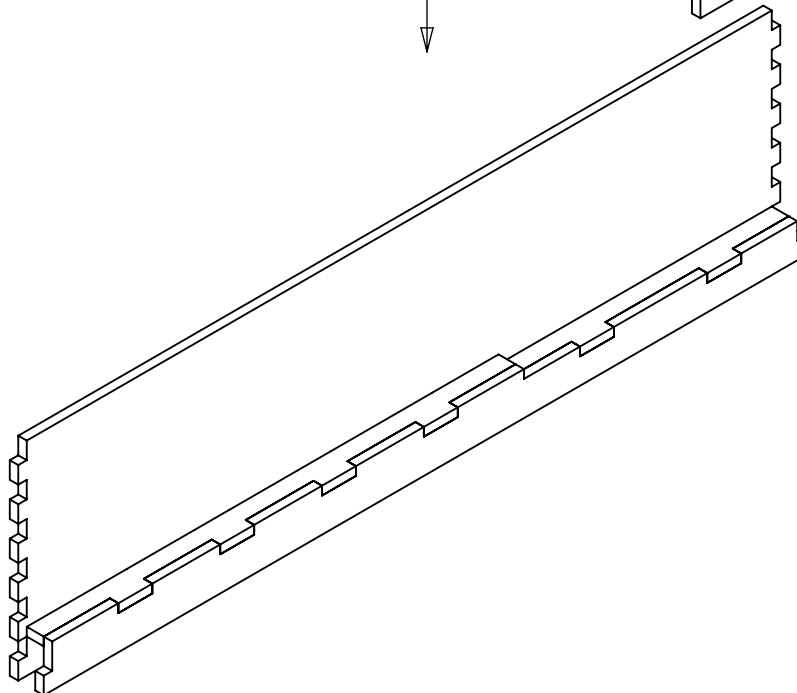
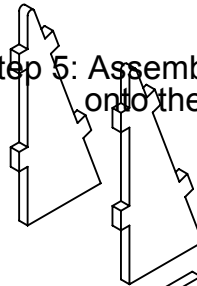
Step 4: Continue to assemble the sides of the Organizer as shown.



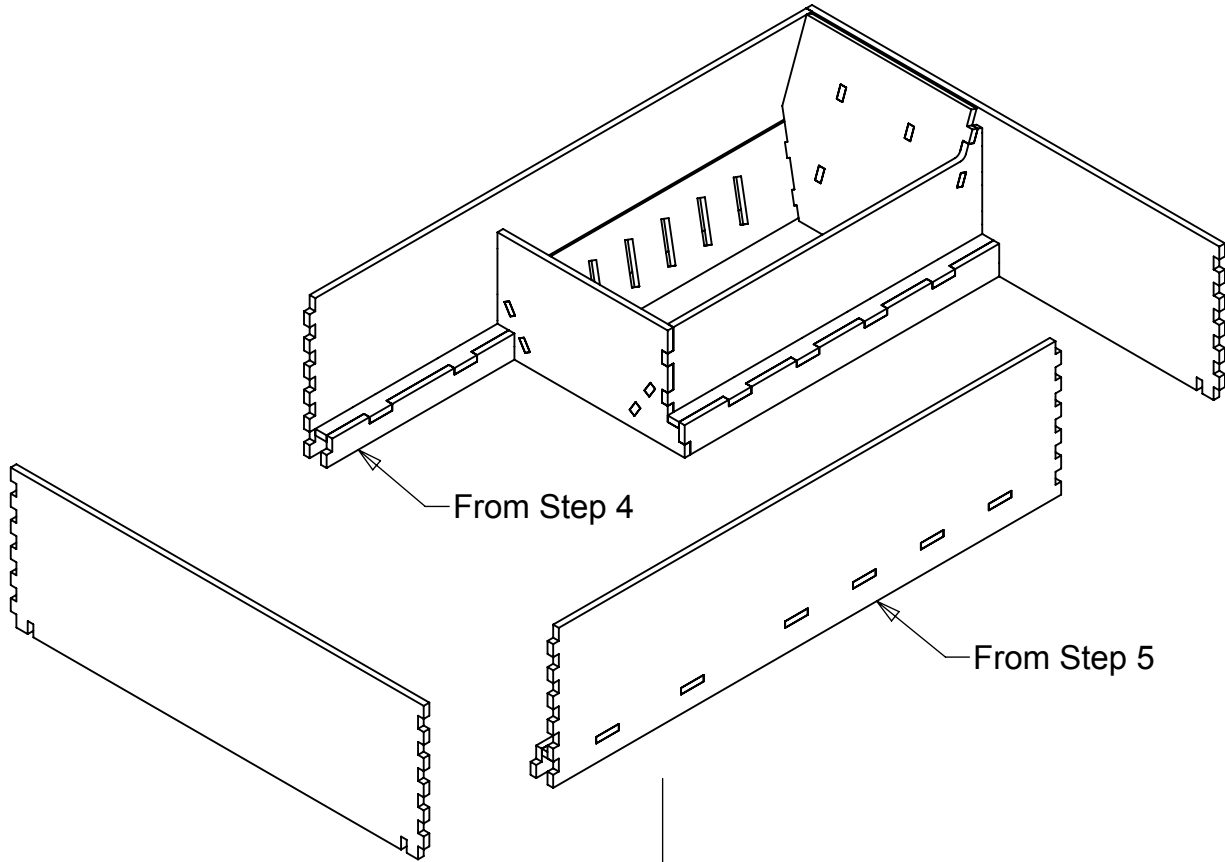
Settlers of Catan Box Organizer (con't)



Step 5: Assemble the Tray Supports
onto the Side as shown.

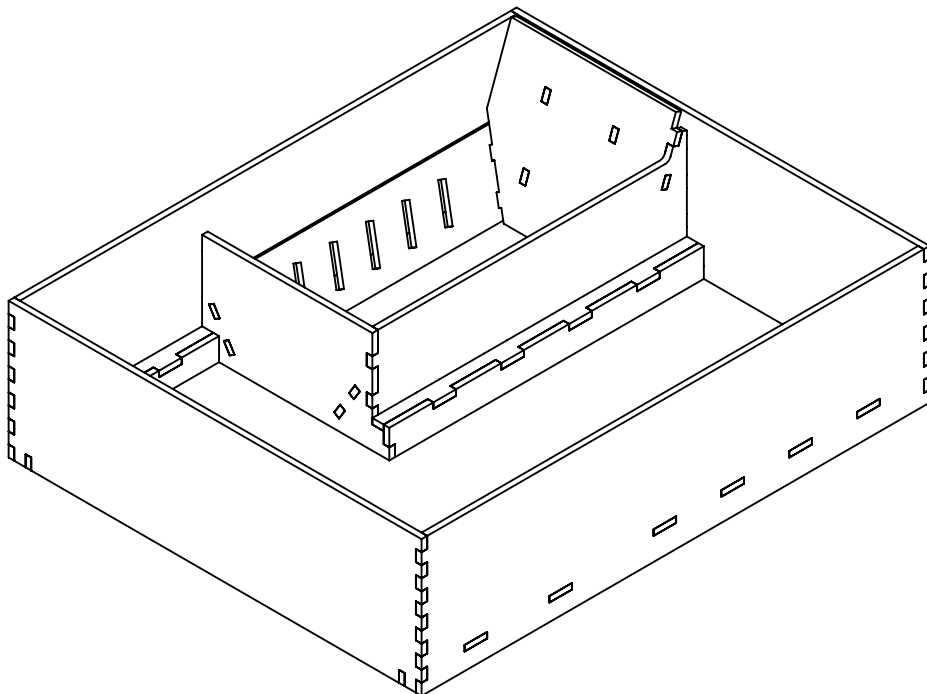


Settlers of Catan Box Organizer (con't)

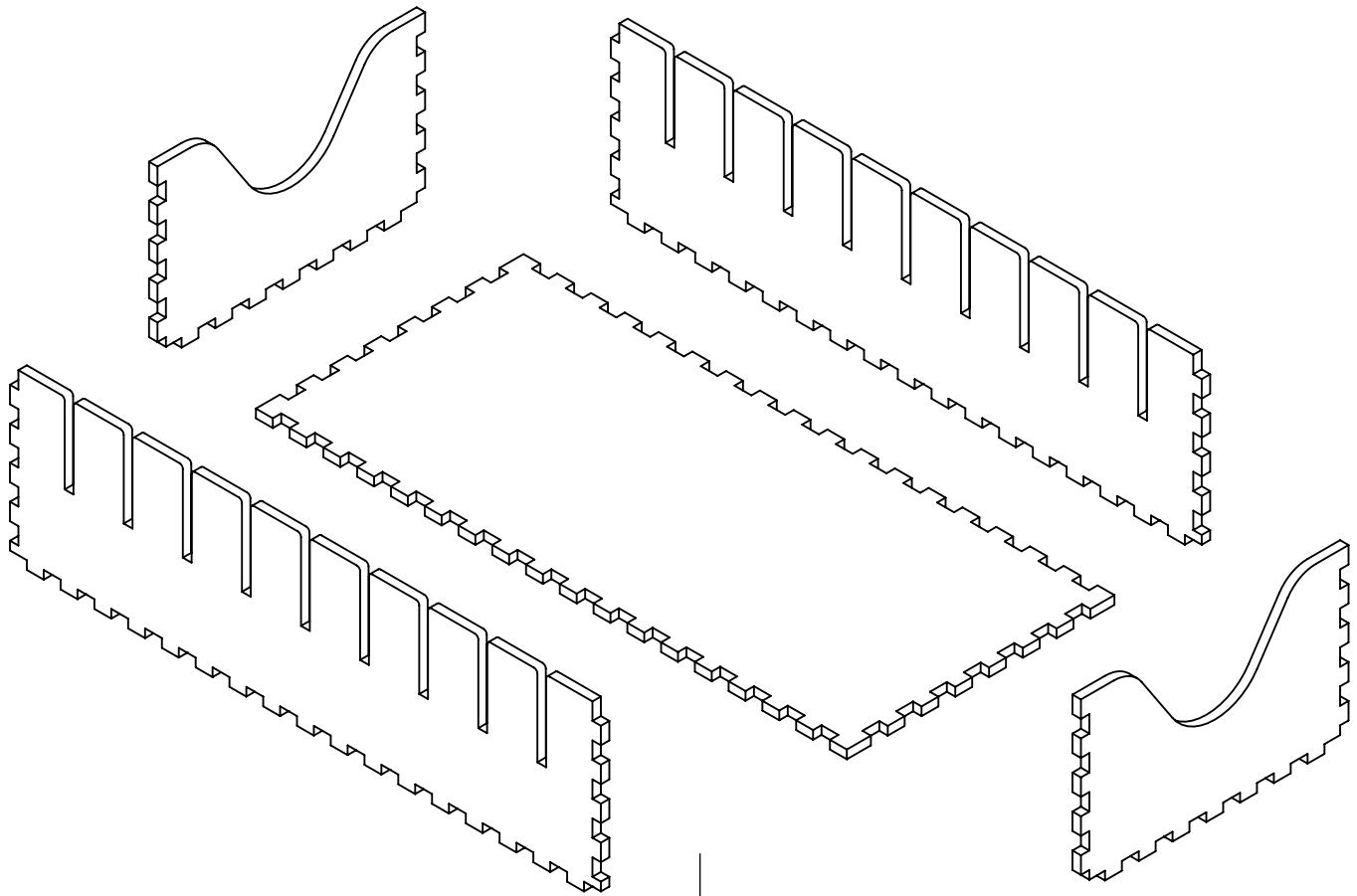


Step 6: Finish Assembling the Organizer
Insert as shown and set aside
until Step 12.

*Tip - Assemble the part from Step 5
into the part from Step 4 first.

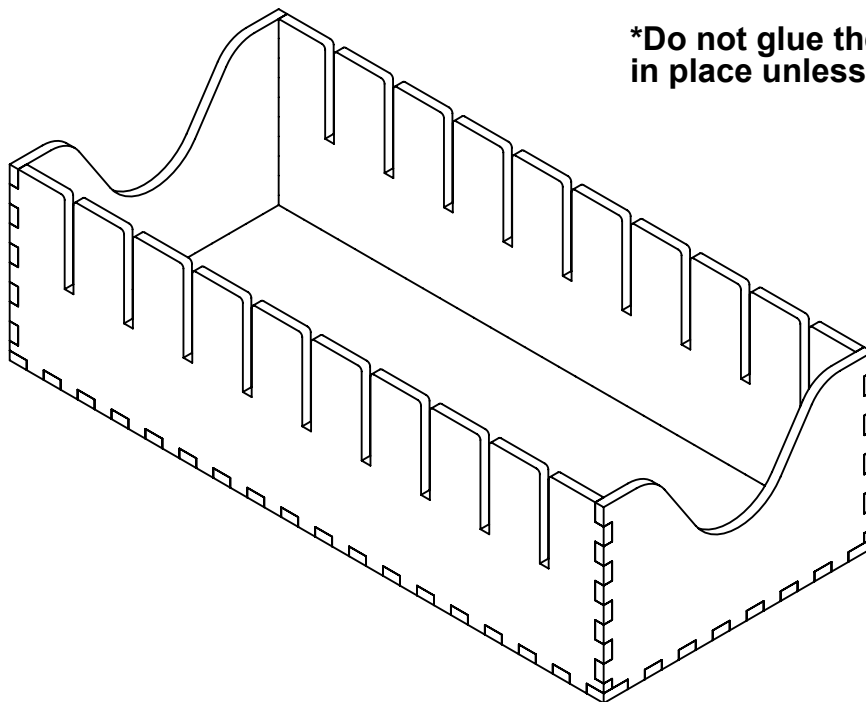


Settlers of Catan Box Organizer (con't)

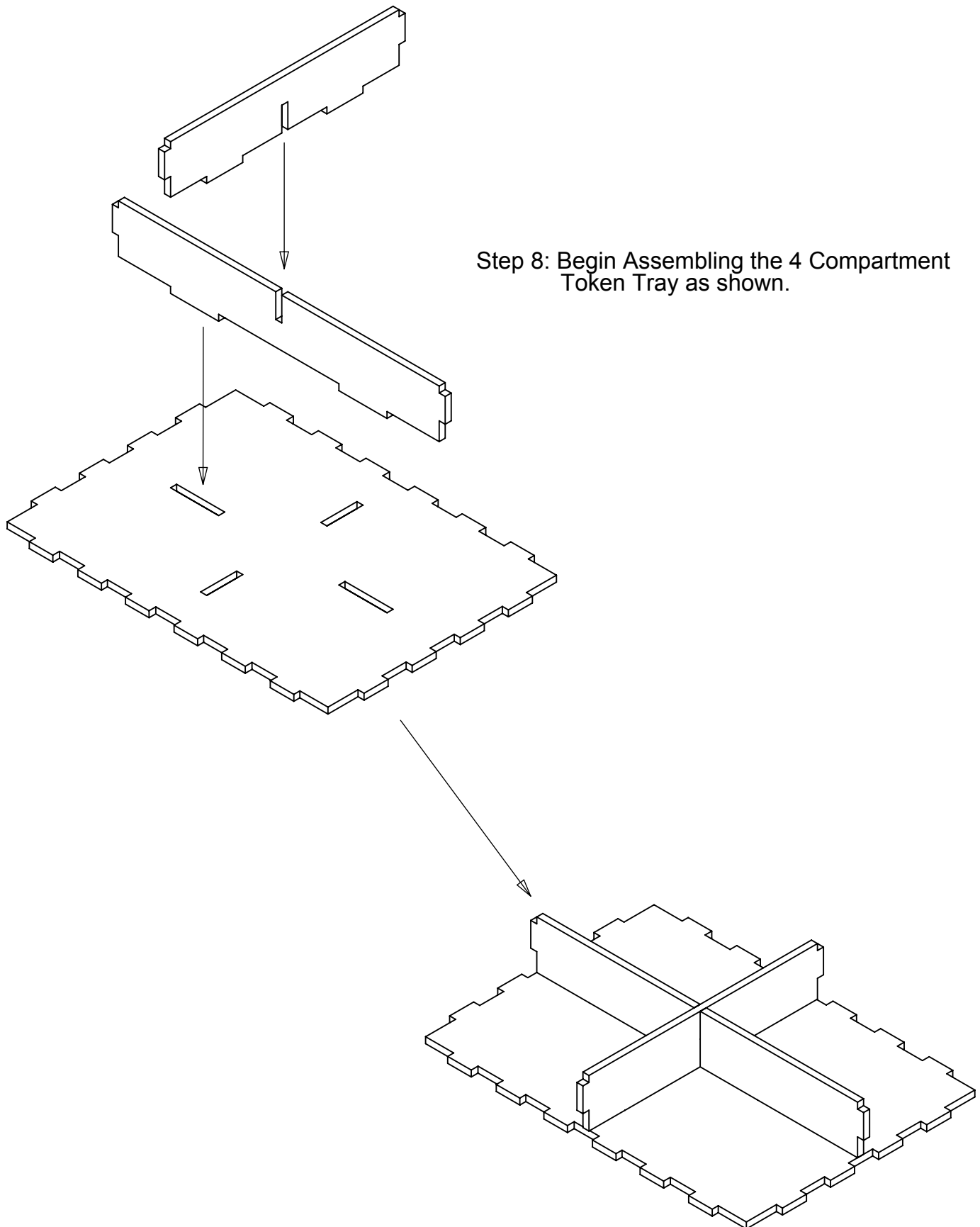


Step 7: Assemble the Card Tray as shown and finish by inserting all 9 of the Removable Dividers (not shown). Set aside until Step 12.

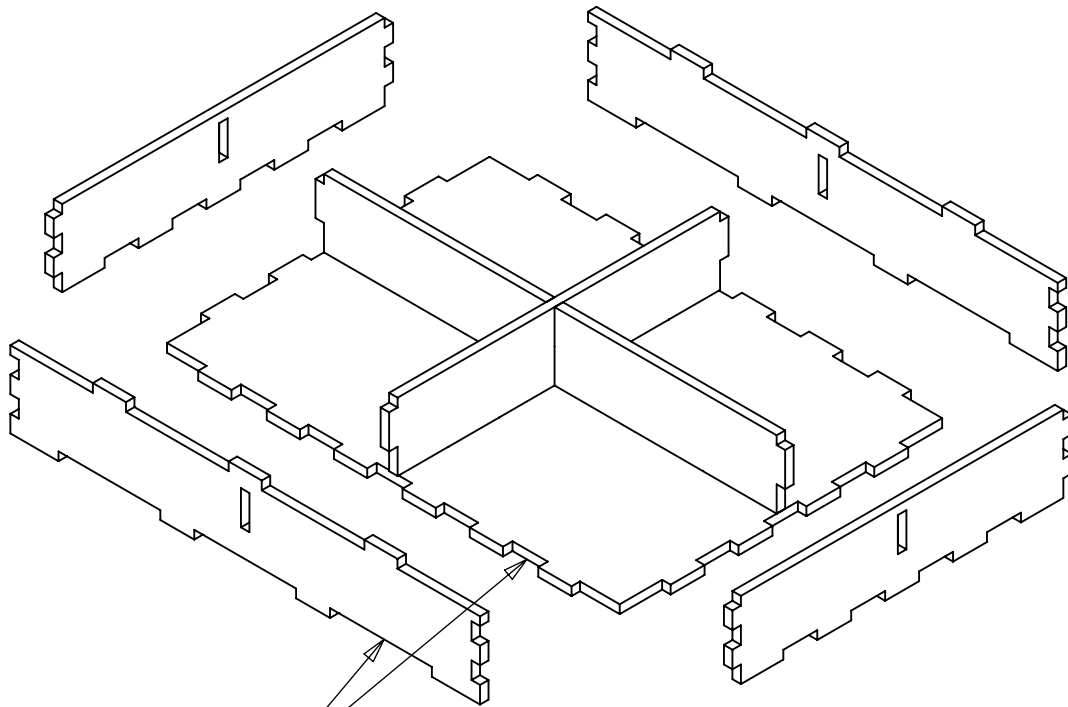
***Do not glue the Removable Dividers in place unless desired.**



Settlers of Catan Box Organizer (con't)

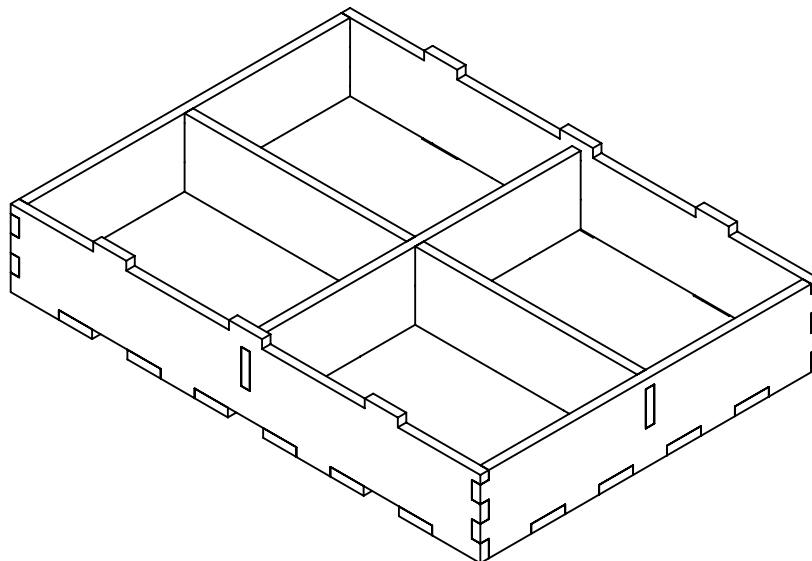


Settlers of Catan Box Organizer (con't)

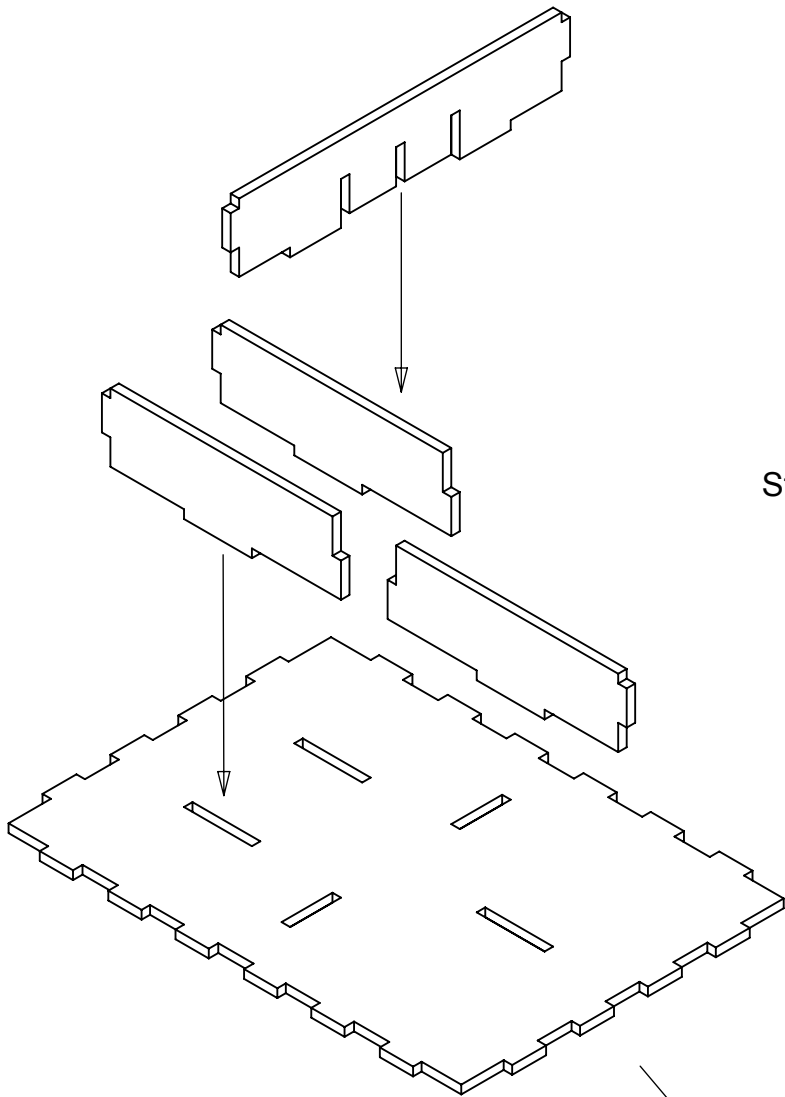


*Tip - Do not place glue in
in the empty tabs.

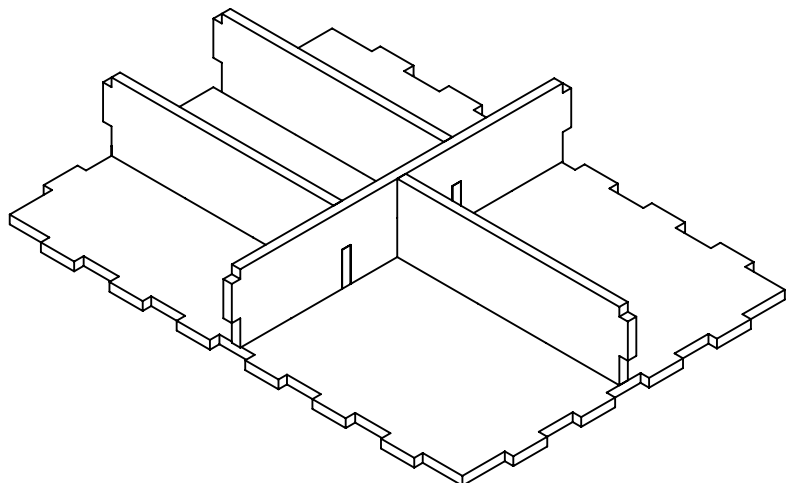
Step 9: Finish assembling the 4 Compartment
Token Tray and set aside until Step 12.



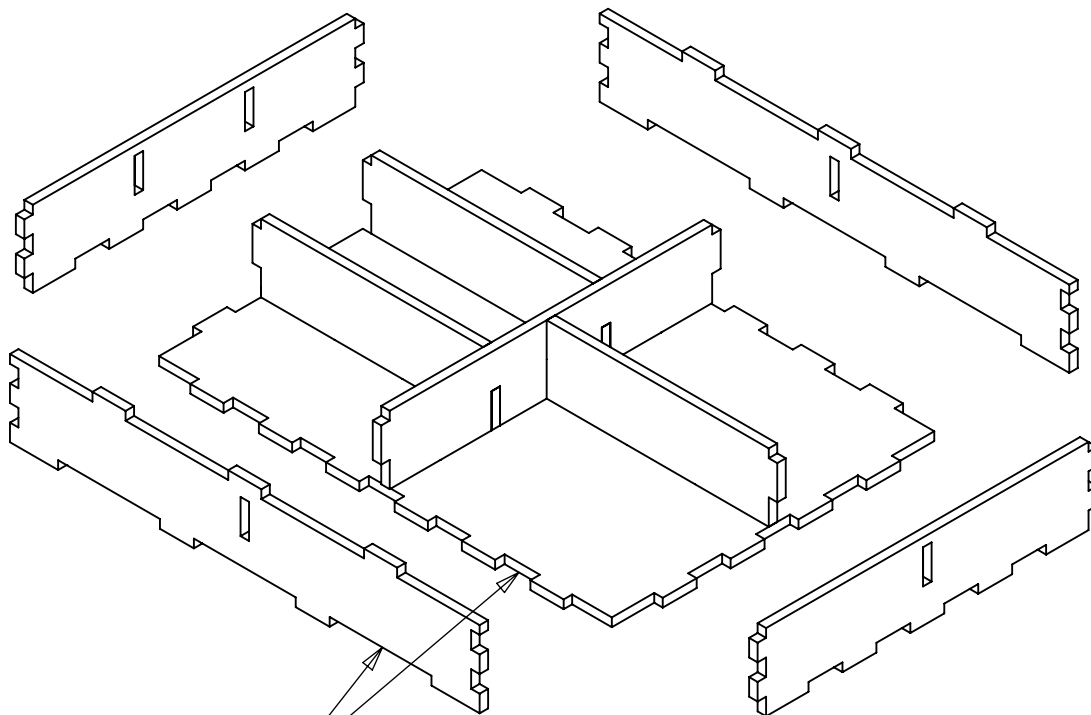
Settlers of Catan Box Organizer (con't)



Step 10: Begin Assembling the 5 Compartment Token Tray as shown.

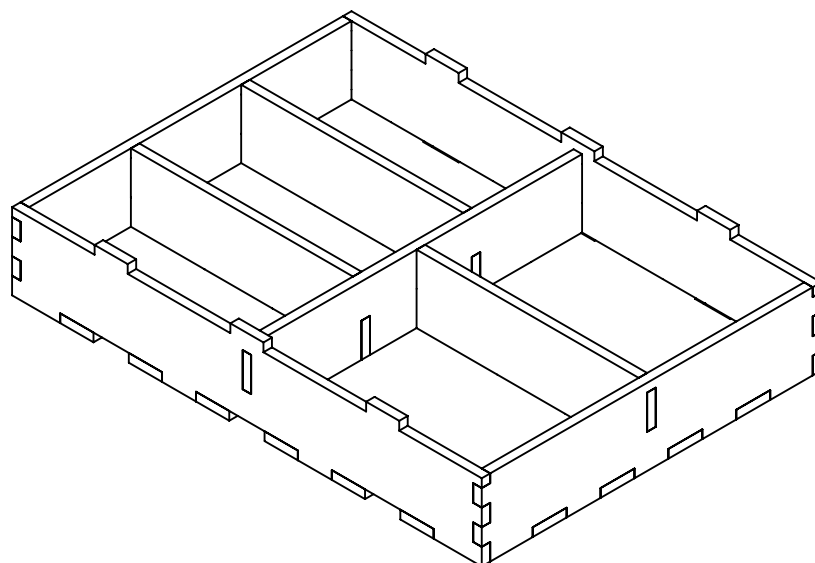


Settlers of Catan Box Organizer (con't)

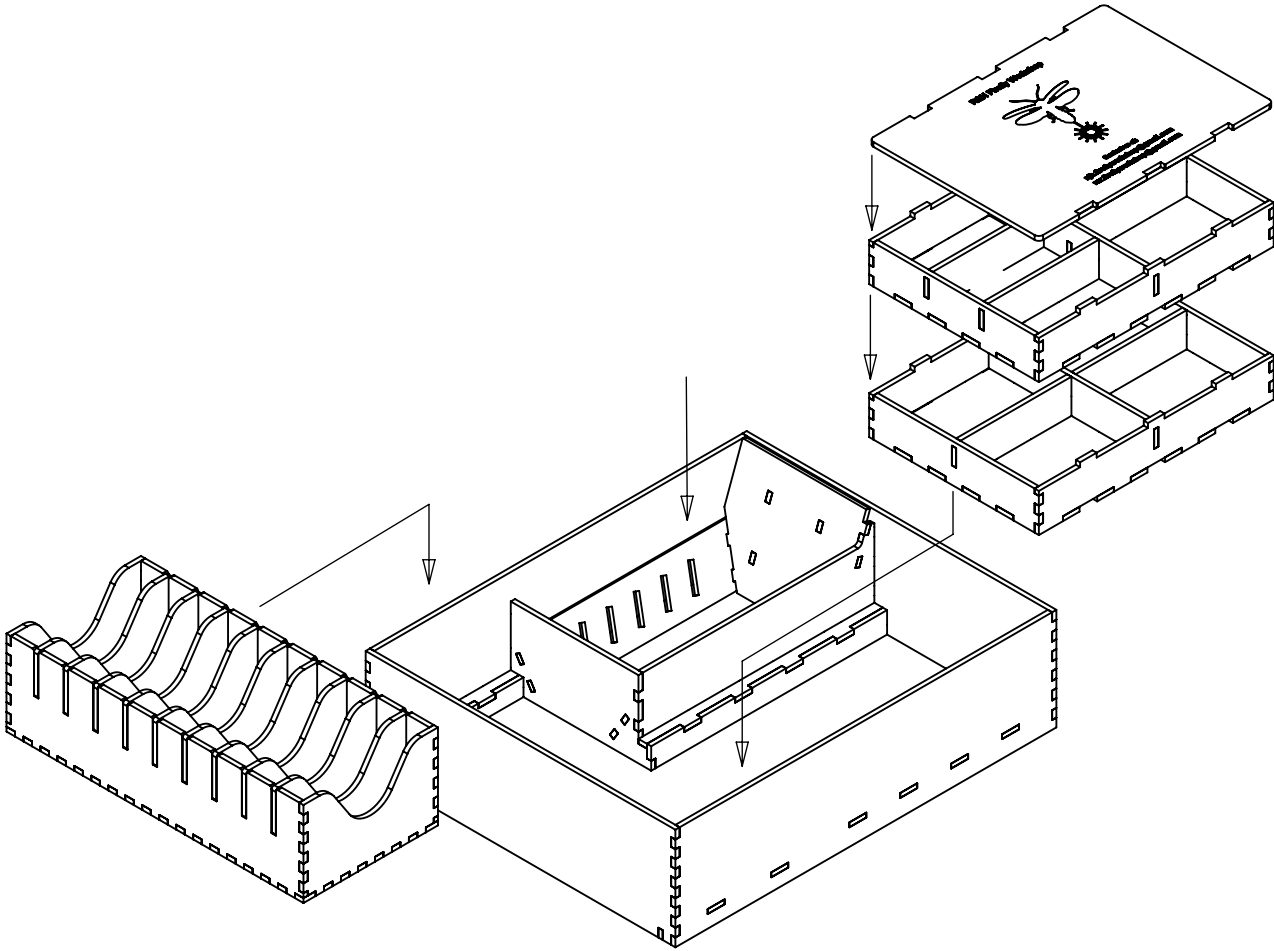


*Tip - Do not place glue in
in the empty tabs.

Step 11: Finish assembling the 5 Compartment
Token Tray and set aside until Step 12.



Settlers of Catan Box Organizer (con't)



Step 12: Finish by inserting the Card and Token Trays into the main organizer assembly. The two token trays are designed to fit together with the lid on top. Do not glue the trays in place.

***Do not glue the Trays or covers in place.**

