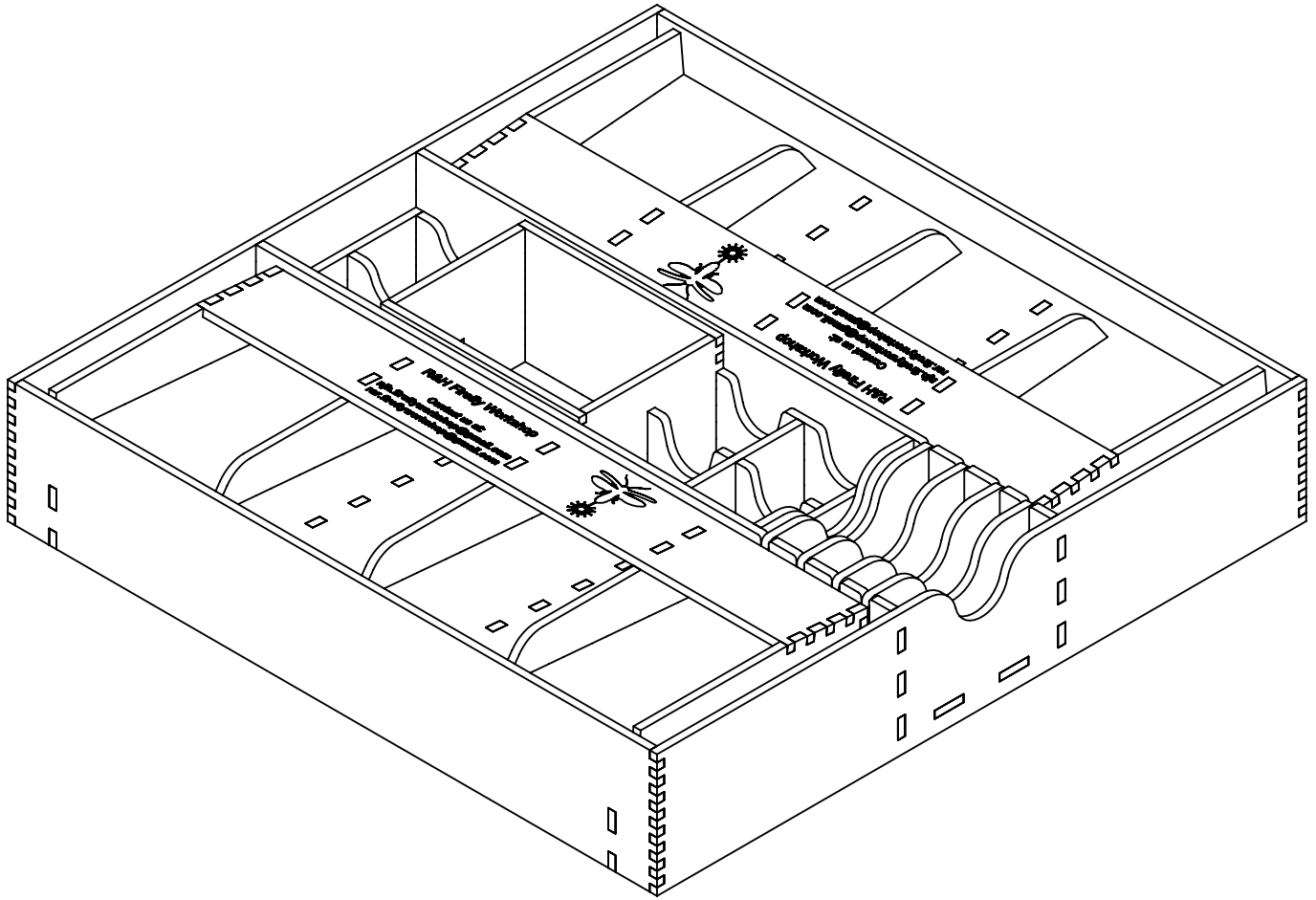


Eldritch Horror Box Organizer

By R&H Firefly Workshops



Box Organizer Includes:

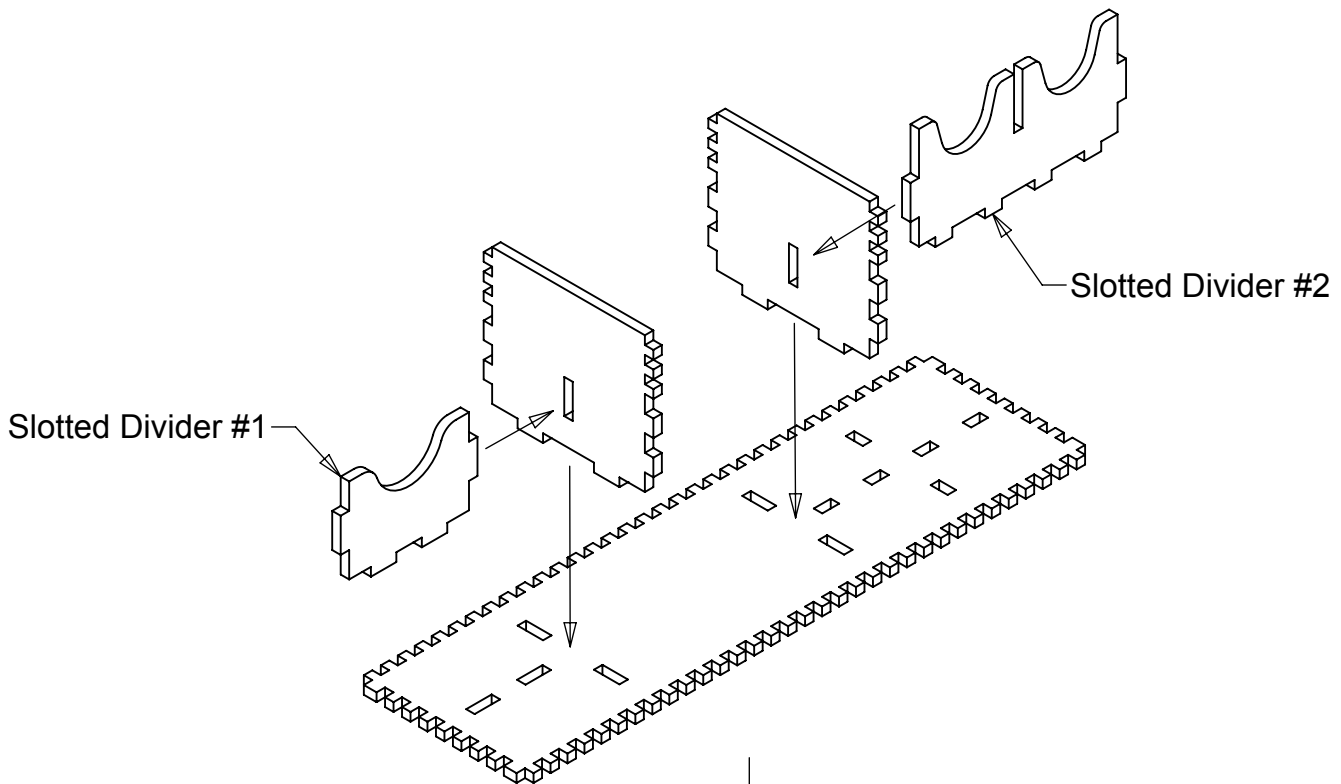
- Step by Step Instructions
- Removable Character/Monster Tray (Qty. 1)
- Removable Token Tray (Qty. 2)
- Removable Card Tray (Qty. 1)
- Removable Card Dividers (Qty. 4)

Have a missing/damaged part? Have questions or comments?
Contact us at:

njh.fireflyworkshop@gmail.com
rar.fireflyworkshop@gmail.com

Eldritch Horror Box Organizer

By R&H Firefly Workshops

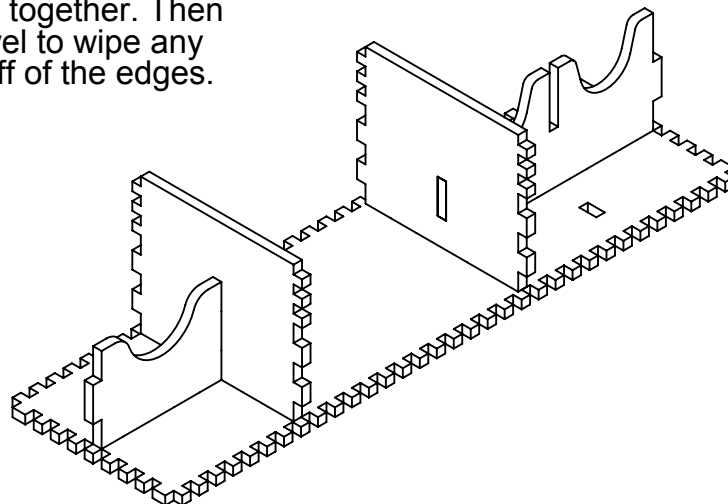


*Tip - Fully assemble each step to ensure a proper fit and location of every piece. All separators and dividers will be flush on the top/ends when properly installed unless shown otherwise.

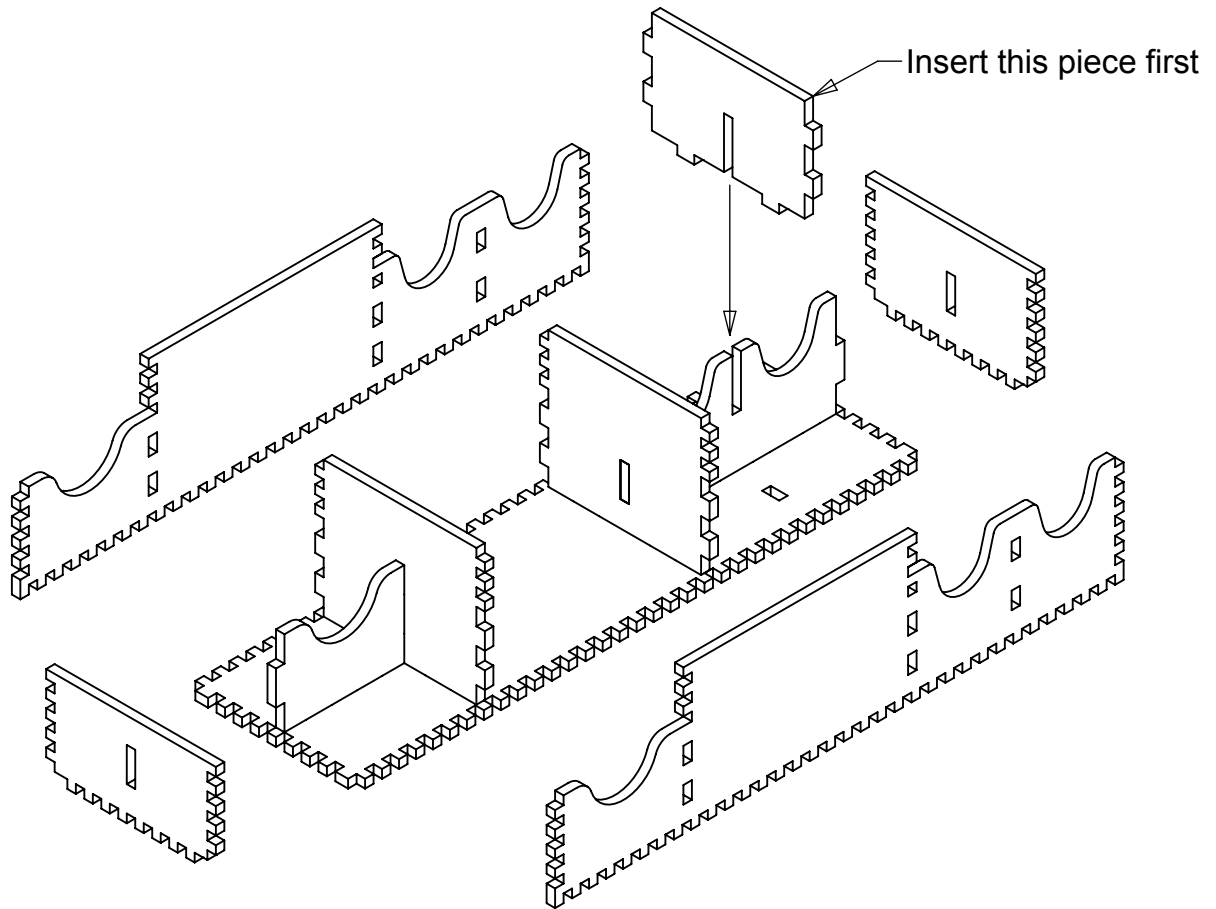
Once each step is assembled correctly, disassemble and reassemble while adding a small drop of super glue to every intersection where the parts slide together. Then use paper towel to wipe any excess glue off of the edges.

Step 1: Separate all of the pieces from their frames.

Step 2: Assemble as both slotted dividers first as shown. Finish by inserting into the base as shown.

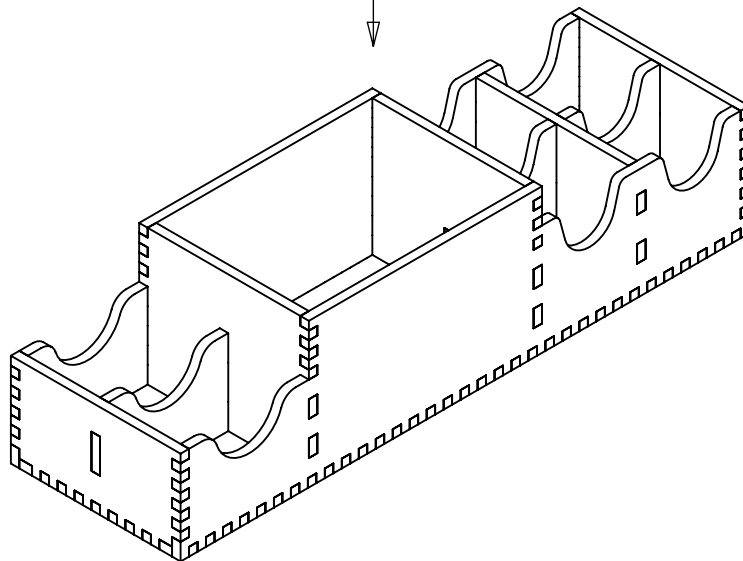


Eldritch Horror Box Organizer (con't)

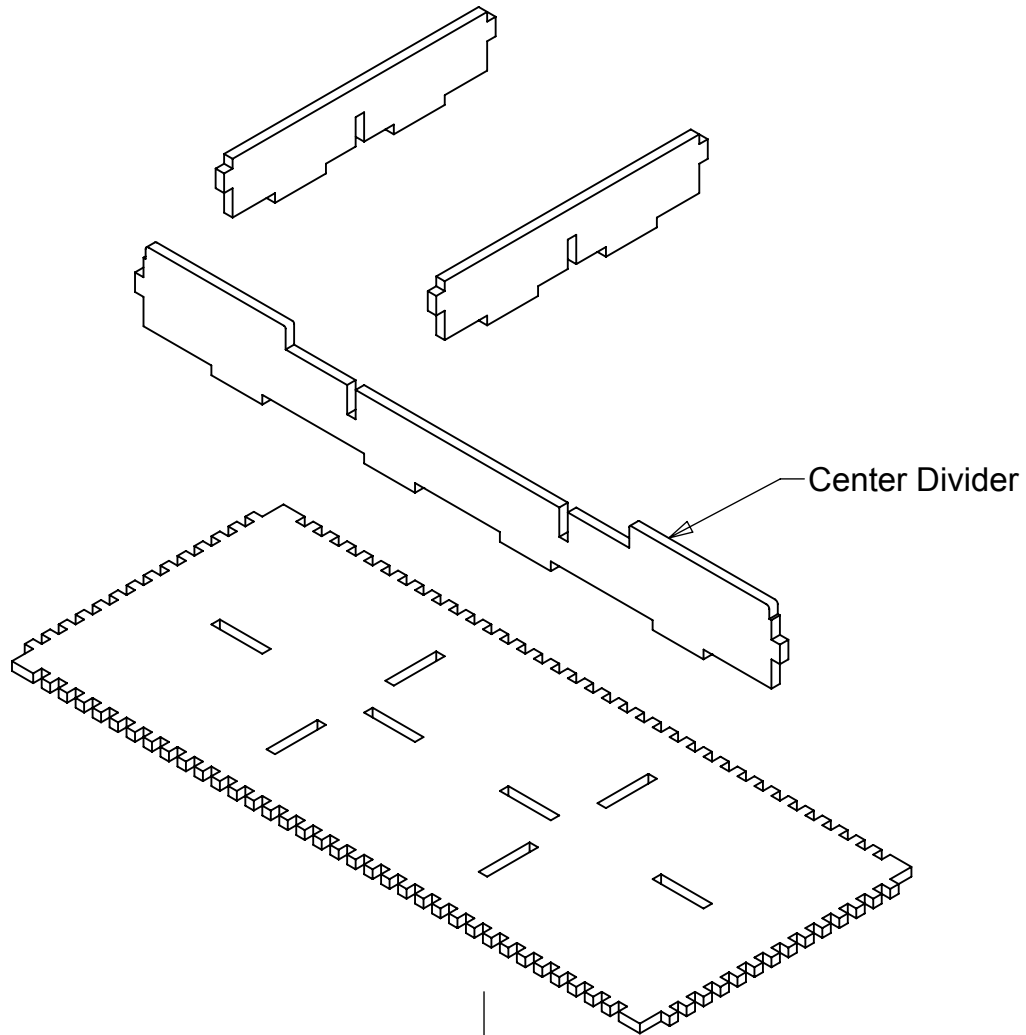


Step 3: Assemble the inside divider, sides and end pieces as shown.

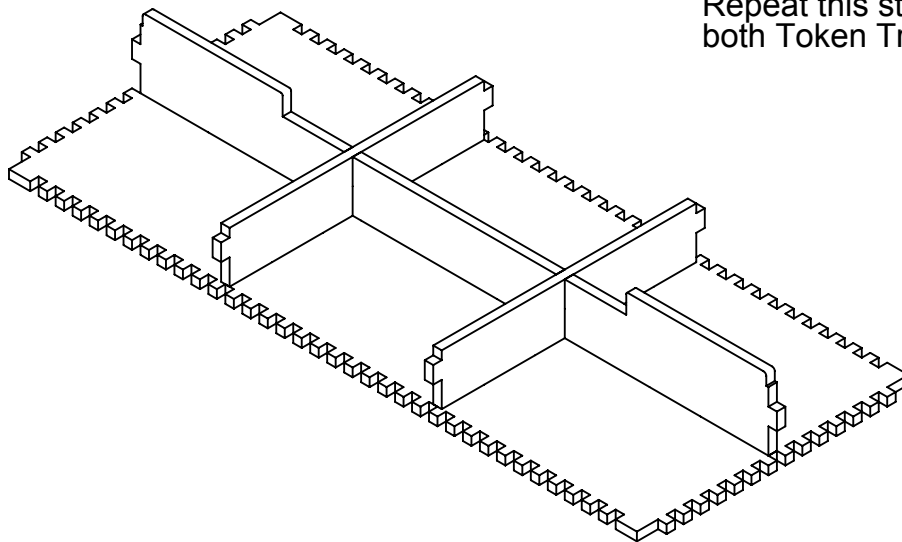
Set the Middle Tray aside.



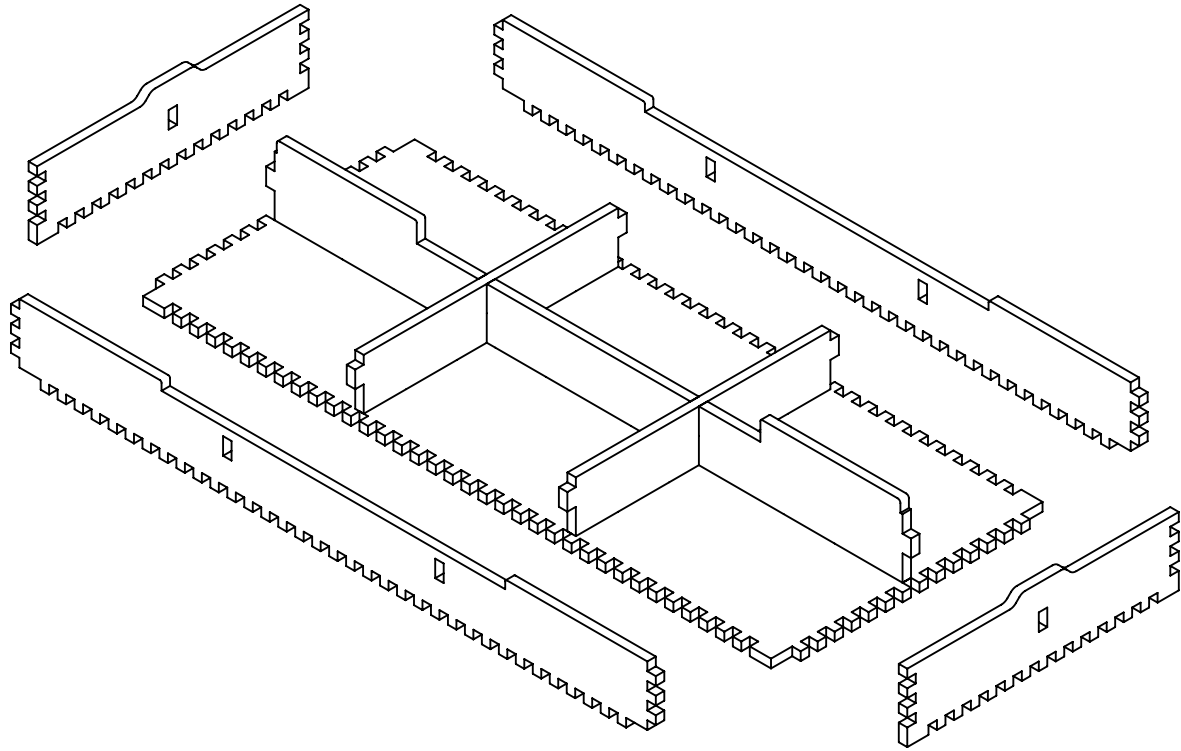
Eldritch Horror Box Organizer (con't)



Step 4: Assemble the Token Tray, starting with the center divider. Repeat this step 2 times for both Token Trays.

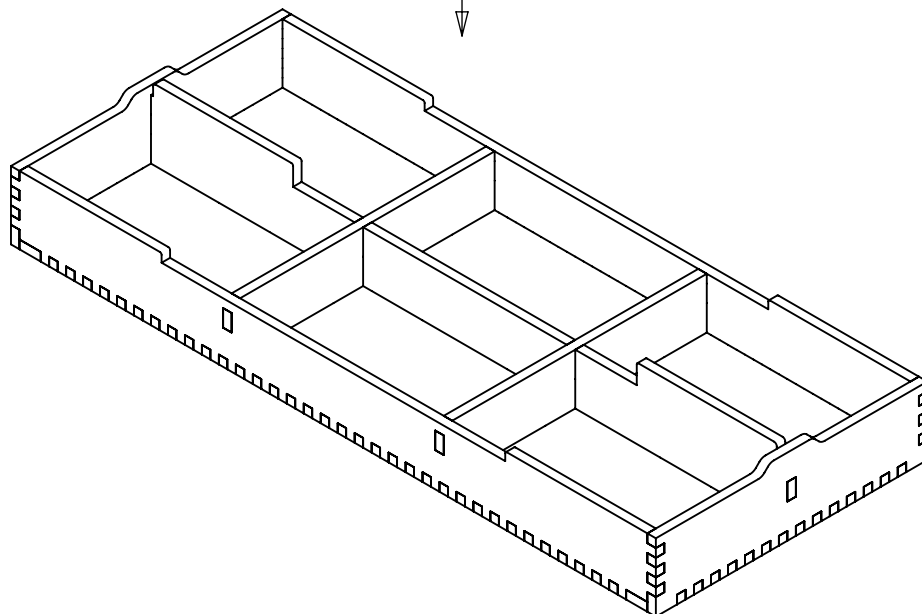


Eldritch Horror Box Organizer (con't)

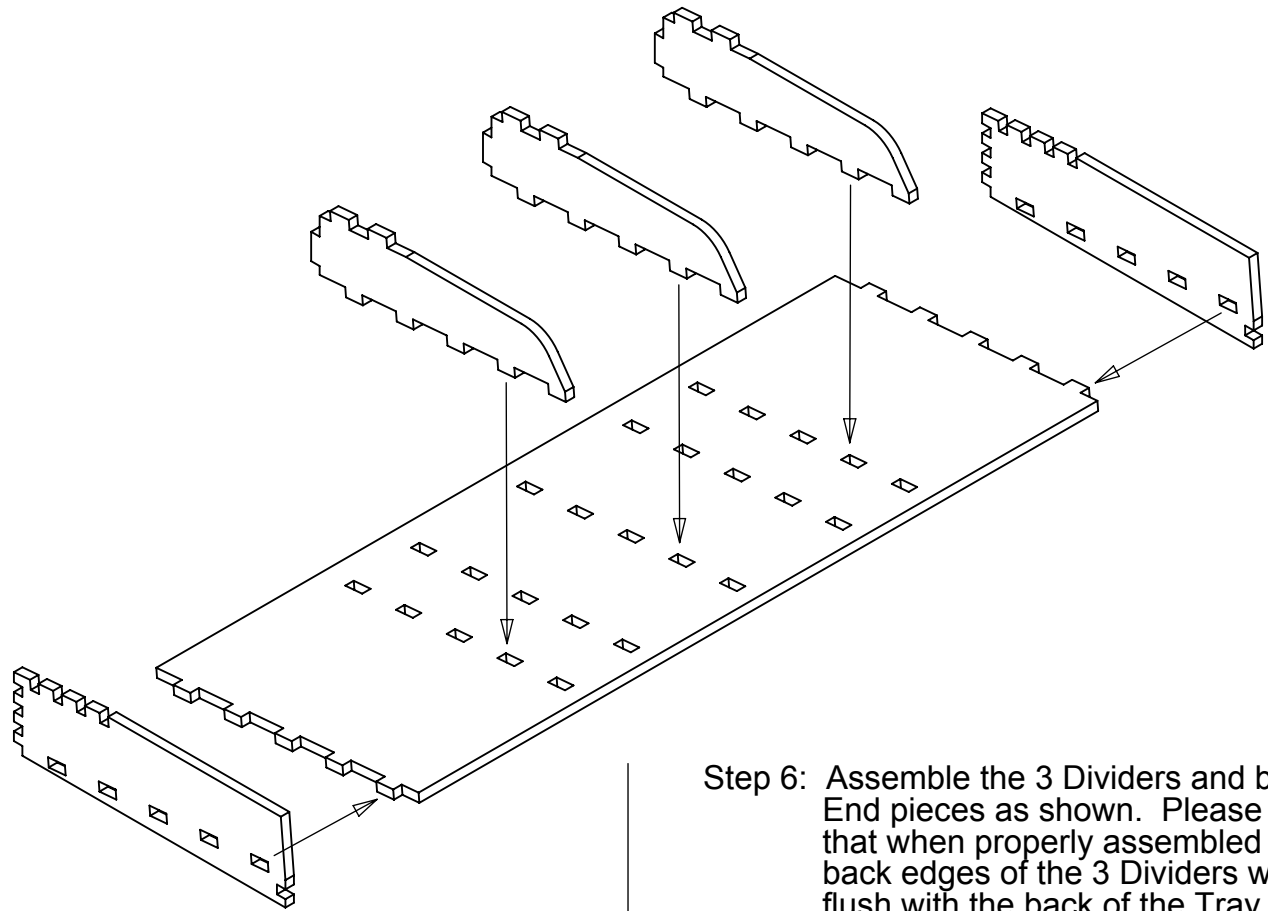


Step 5: Assemble the sides and end pieces onto the Token Tray. Repeat this step twice for both Token Trays.

Set both Token Trays aside.

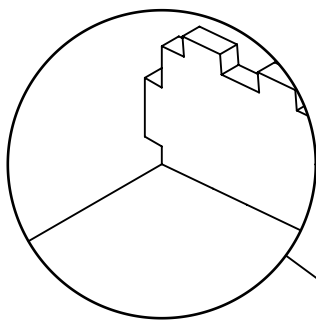


Eldritch Horror Box Organizer (con't)

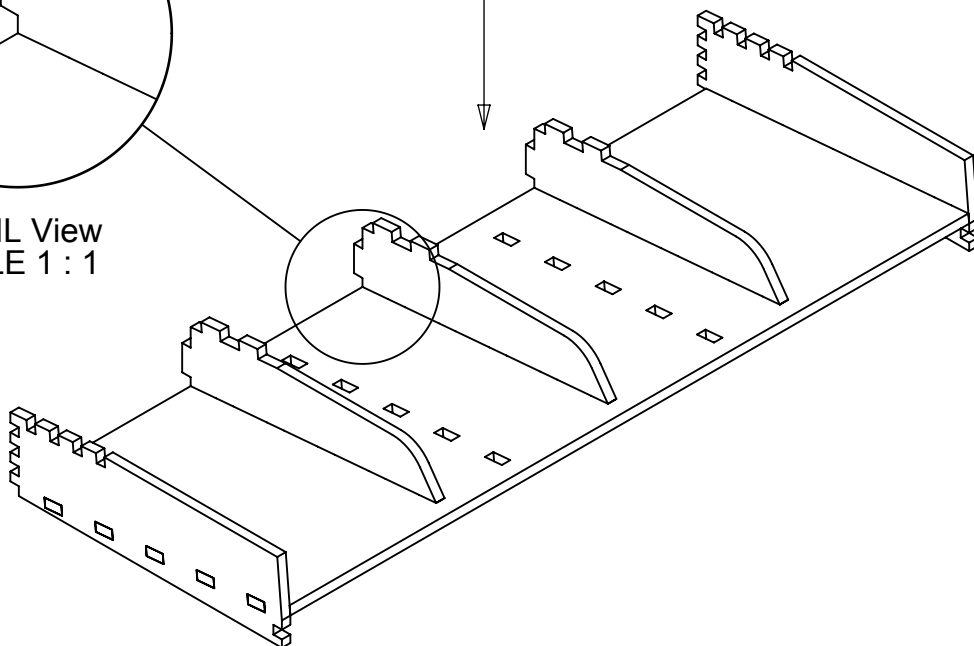


Step 6: Assemble the 3 Dividers and both End pieces as shown. Please note that when properly assembled the back edges of the 3 Dividers will be flush with the back of the Tray Bottom as shown in the detail view.

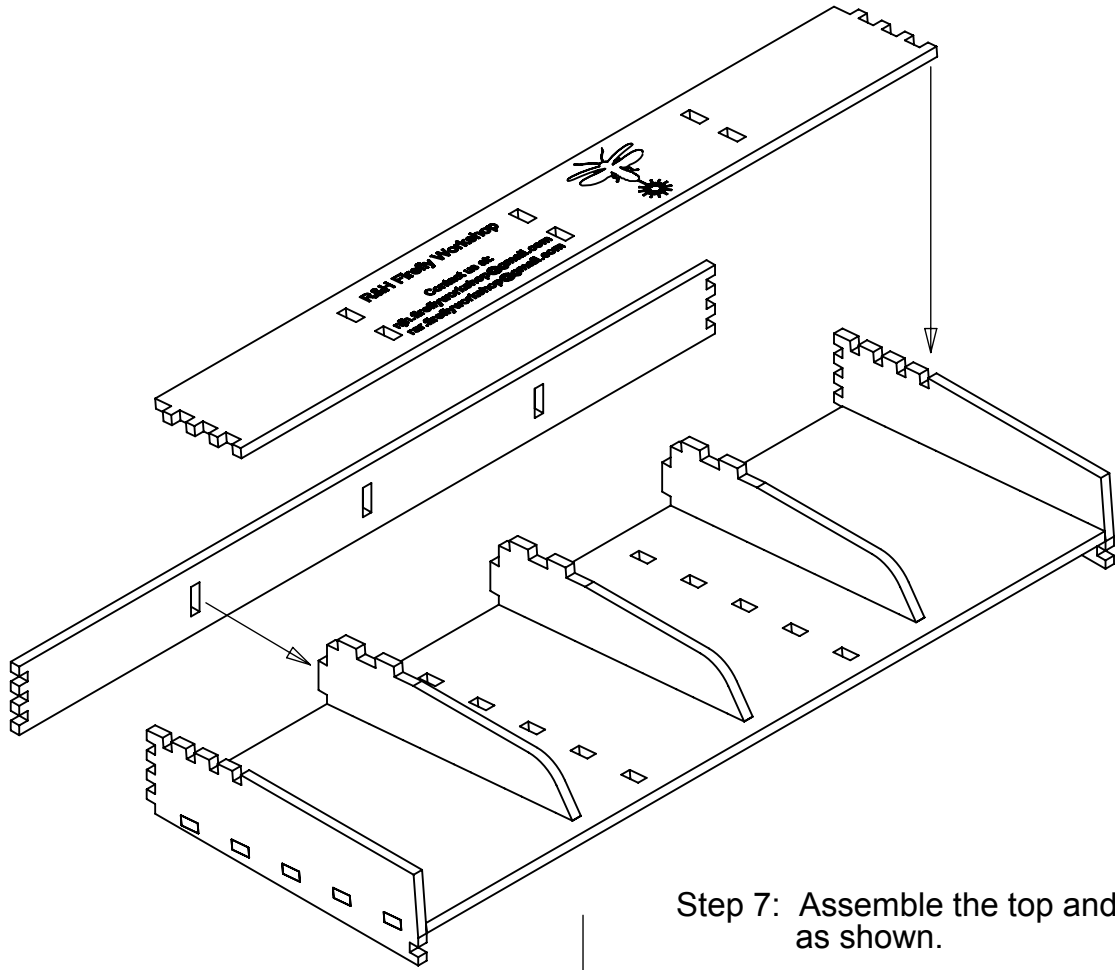
Repeat this step twice for both trays.



DETAIL View
SCALE 1 : 1

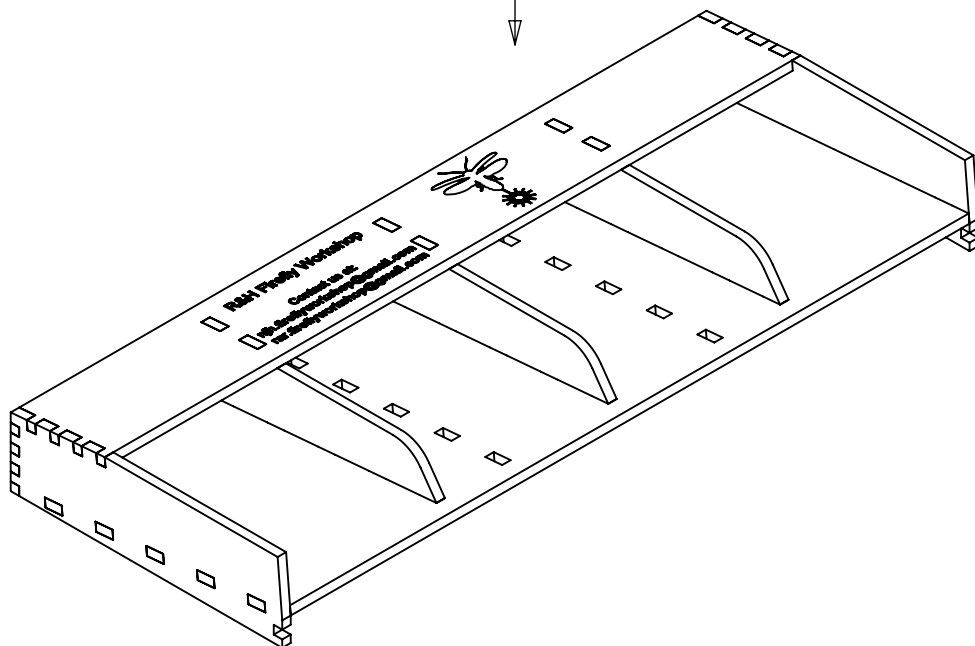


Eldritch Horror Box Organizer (con't)

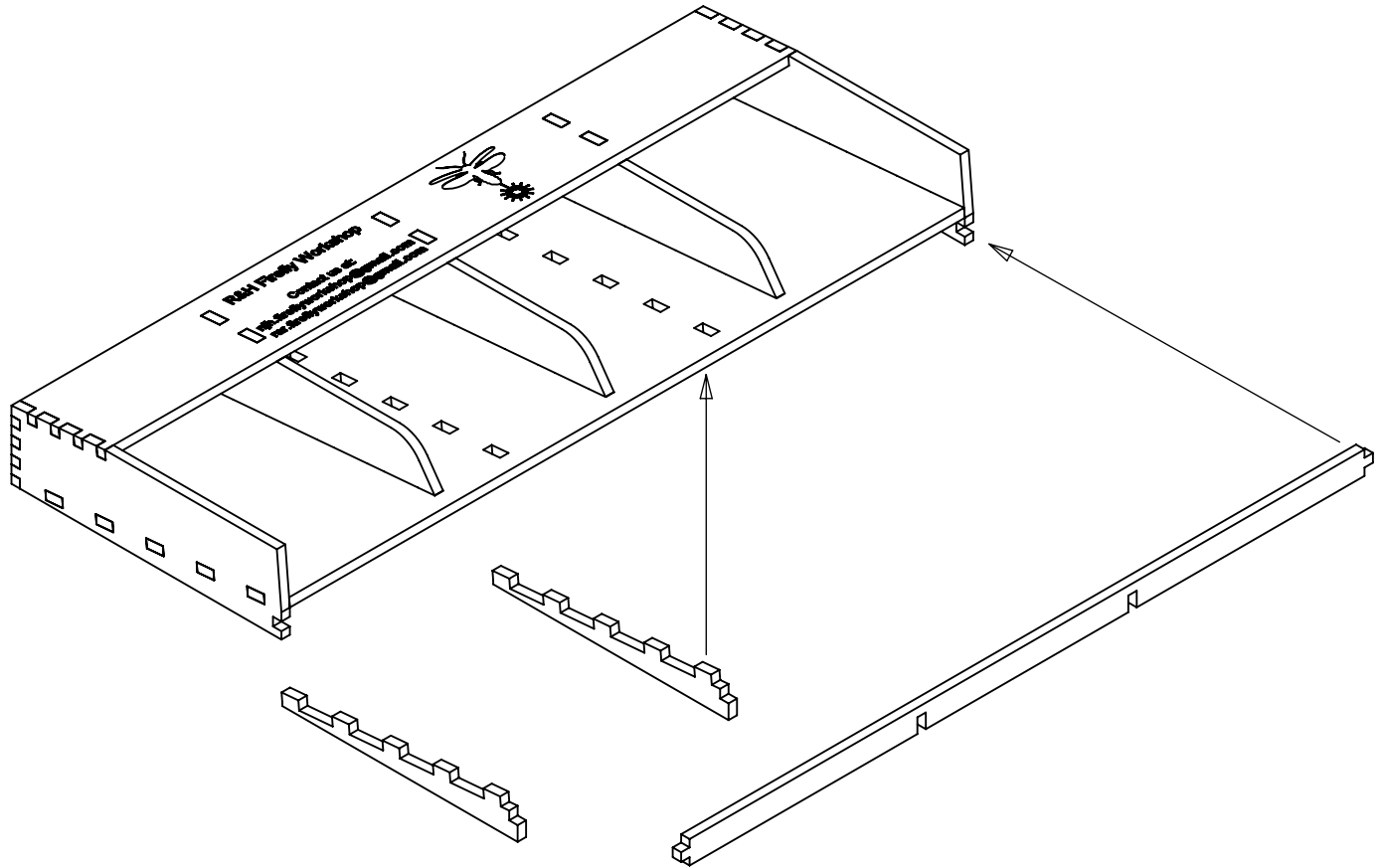


Step 7: Assemble the top and back covers as shown.

Repeat this step twice for both trays.

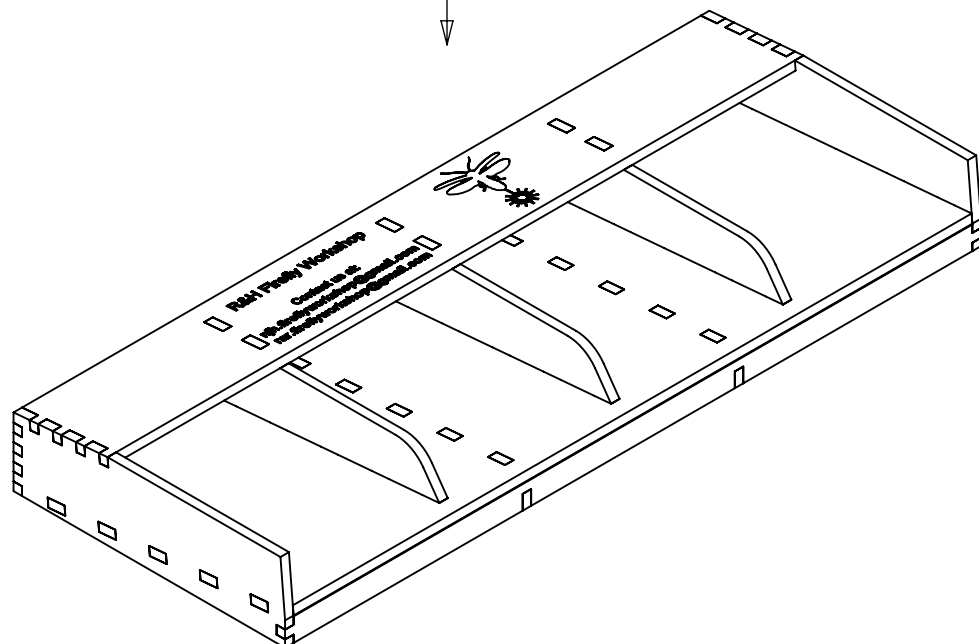


Eldritch Horror Box Organizer (con't)

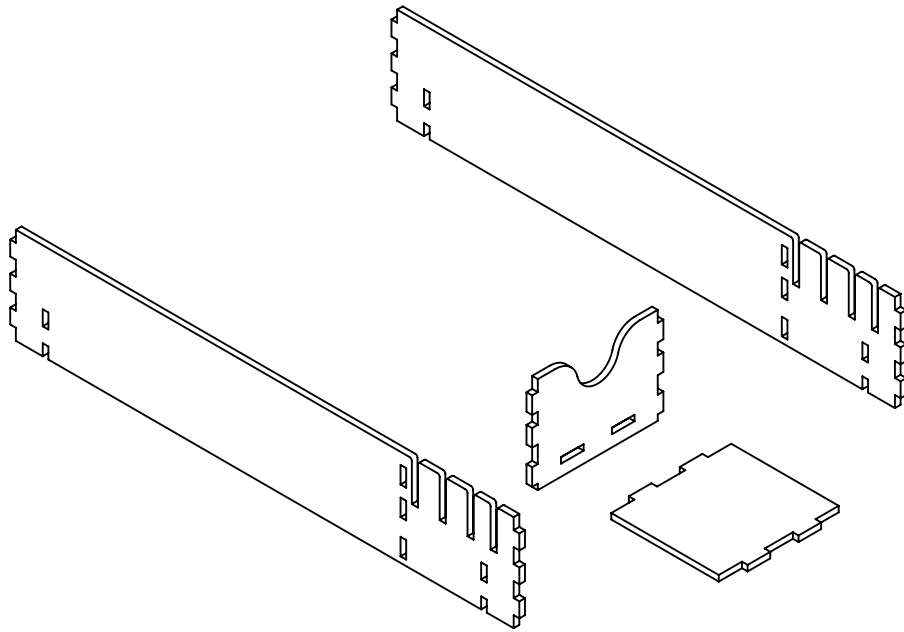


Step 8: Assemble the Bottom Supports and the Front Cover as shown. Repeat this step twice for both trays.

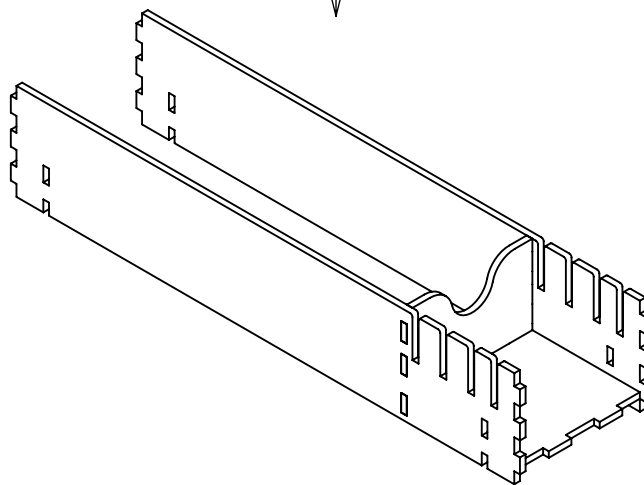
Set both Card Trays aside.



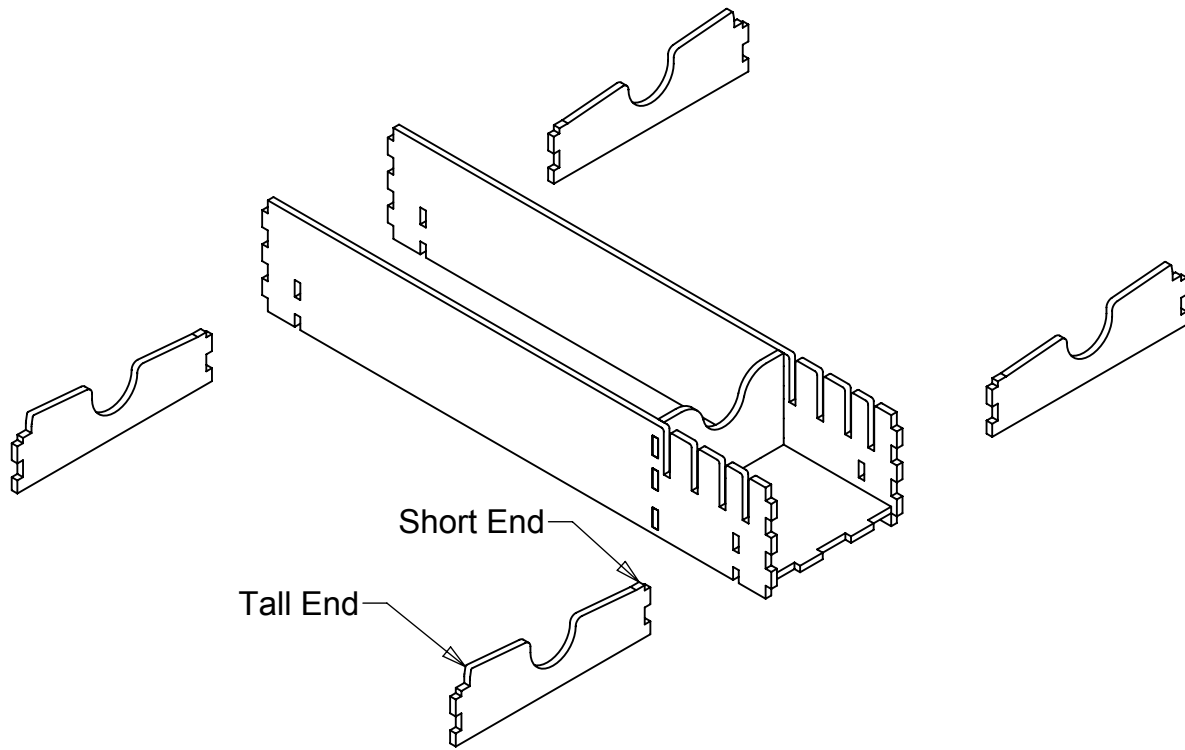
Eldritch Horror Box Organizer (con't)



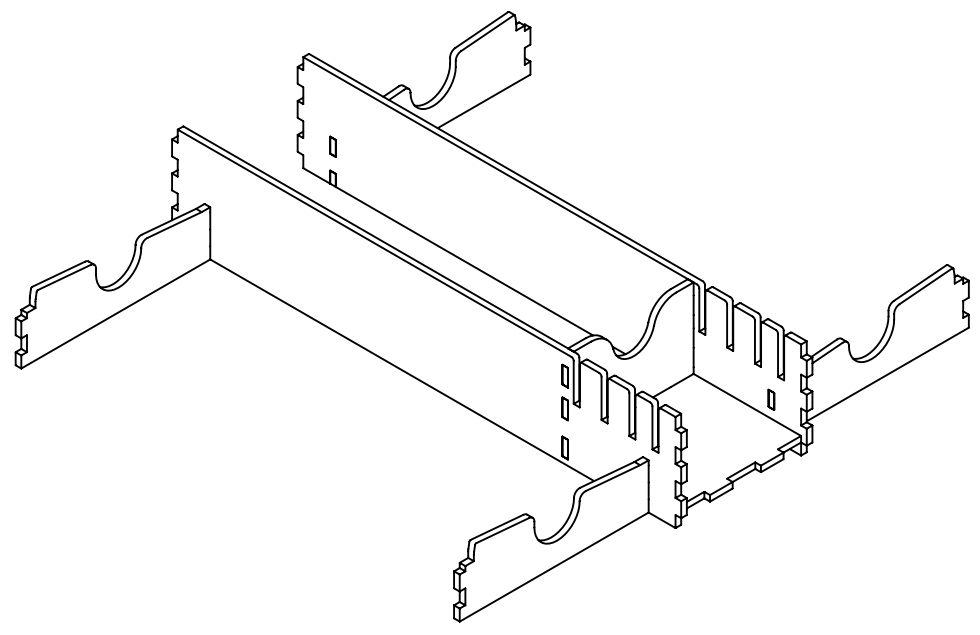
Step 9: Assemble the 2 Slotted Inside Dividers on each side of the small Card Holder End piece. Finish by inserting the Card Holder Bottom.



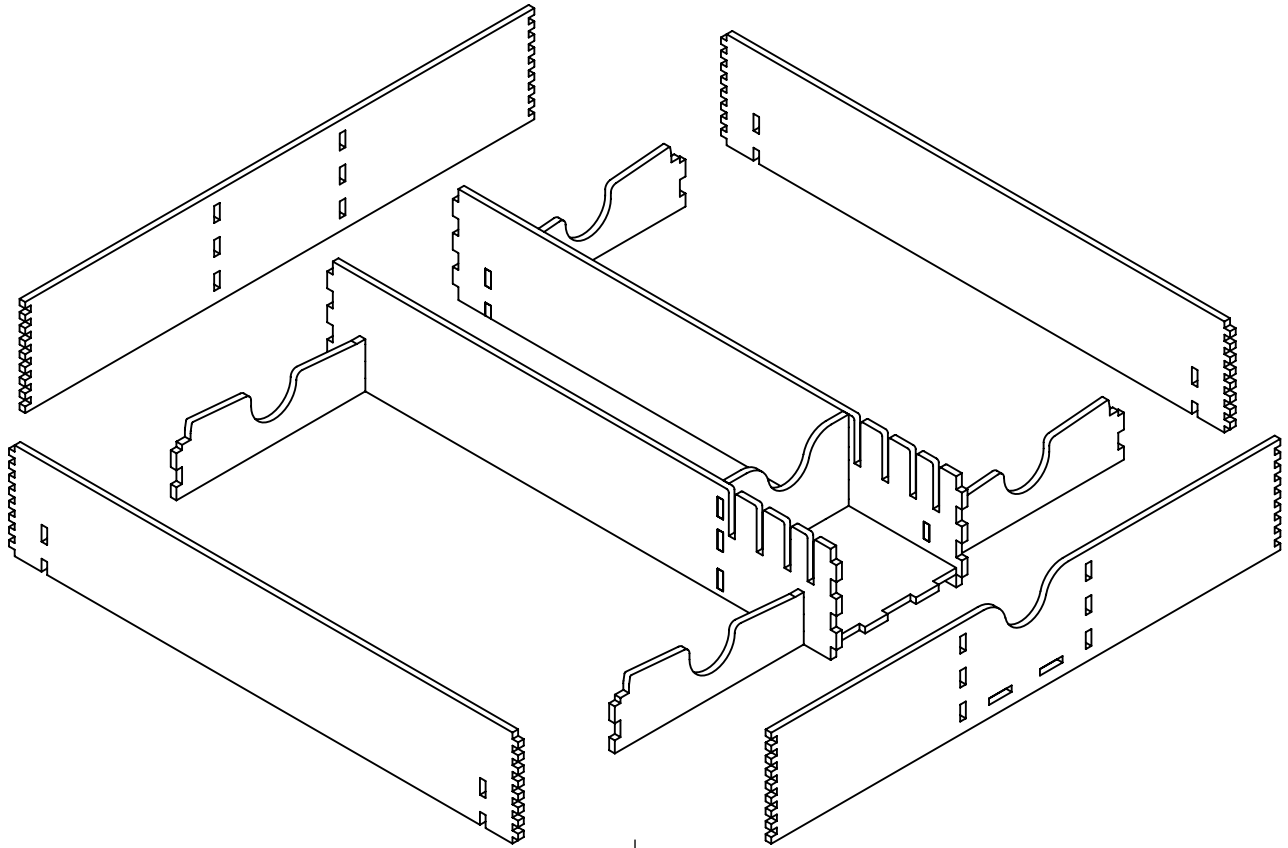
Eldritch Horror Box Organizer (con't)



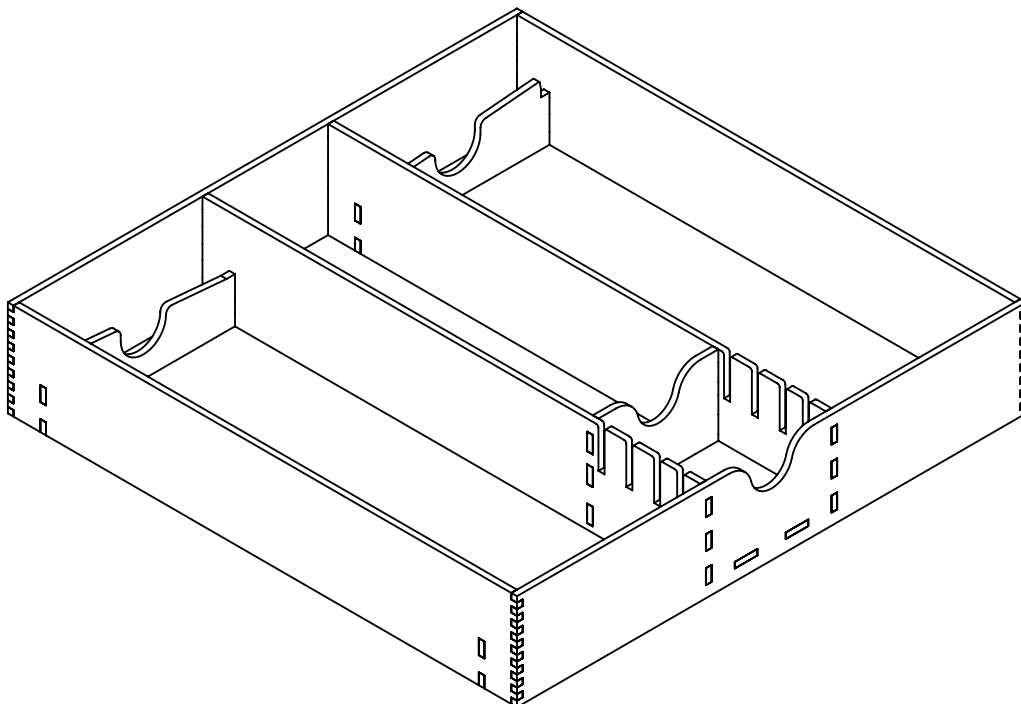
Step 10: Assemble the 4 Tray Supports as shown with the tall end facing away from the Slotted Inside Dividers from step 8.



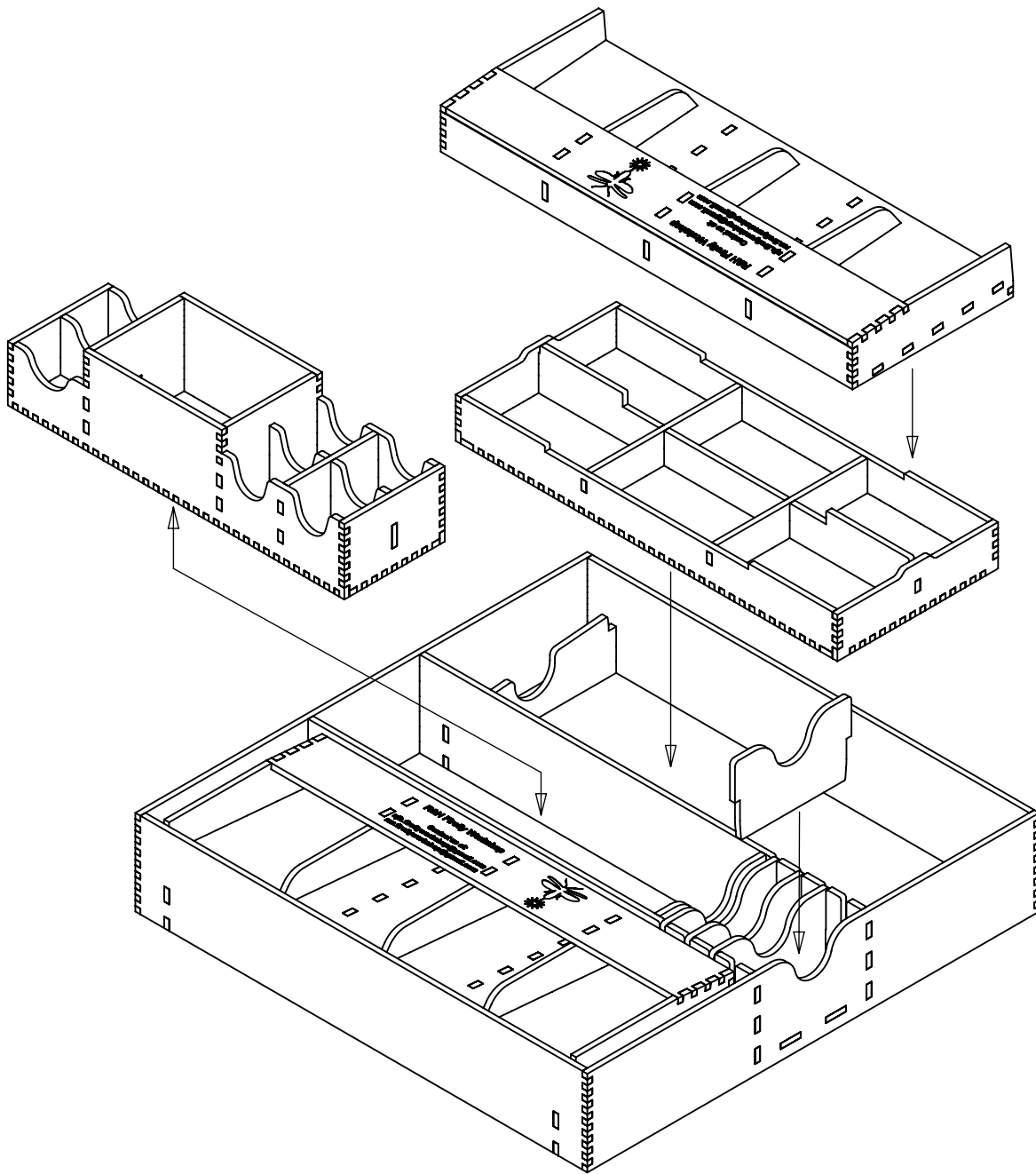
Eldritch Horror Box Organizer (con't)



Step 11: Assemble the 4 sides orientated as shown and let the super glue completely dry before moving on to step 11.



Eldritch Horror Box Organizer (con't)



Step 12: Finish by inserting the Card and Token Trays into the main organizer assembly. The two Card Trays are designed to fit on top of the Token Trays. Do not glue the trays in place.

***Do not glue the dividers in place unless desired.**