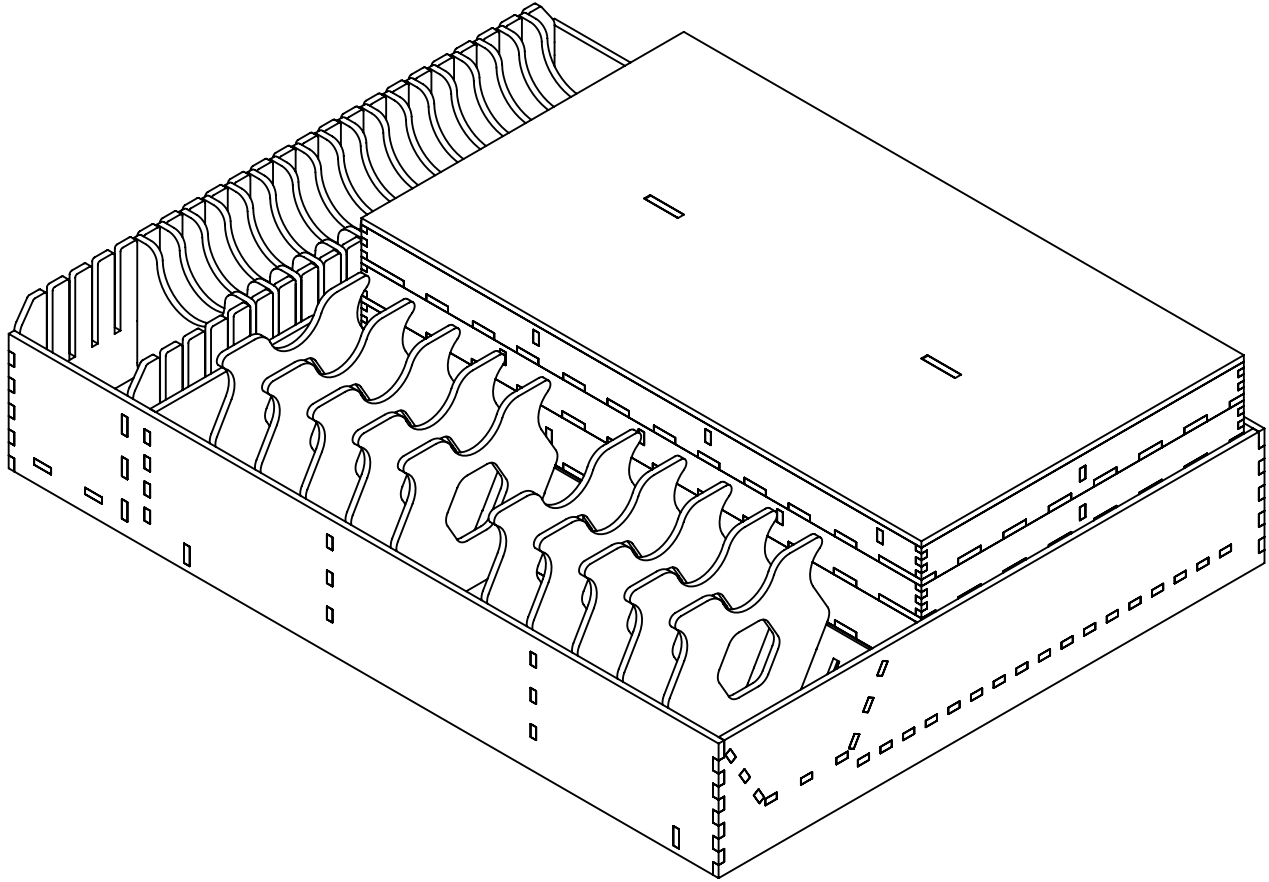


Settlers of Catan Case Organizer

By R&H Firefly Workshops



Box Organizer Includes:

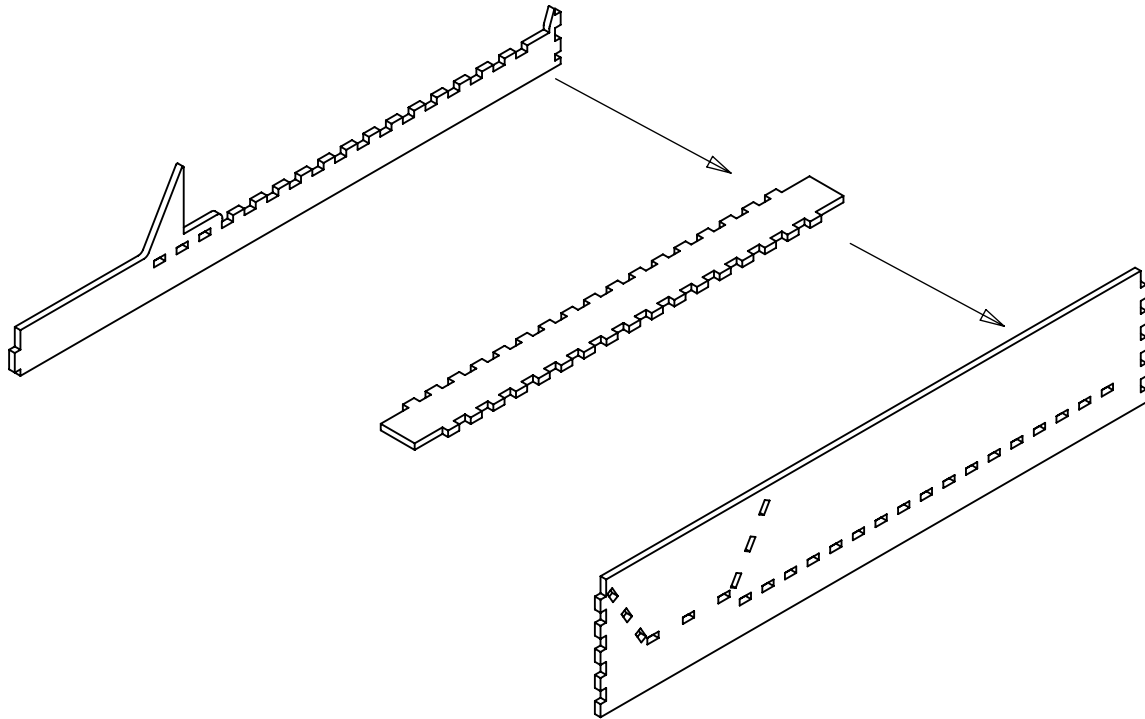
- Step by Step Instructions
- Removable Dividers
- Removable Trays (x4)
- Removable Tray Lid

Need extra Card Dividers or have missing/damaged parts? Have comments or questions?
Contact us at:

njh.fireflyworkshop@gmail.com
rar.fireflyworkshop@gmail.com

Settlers of Catan Case Organizer

By R&H Firefly Workshops

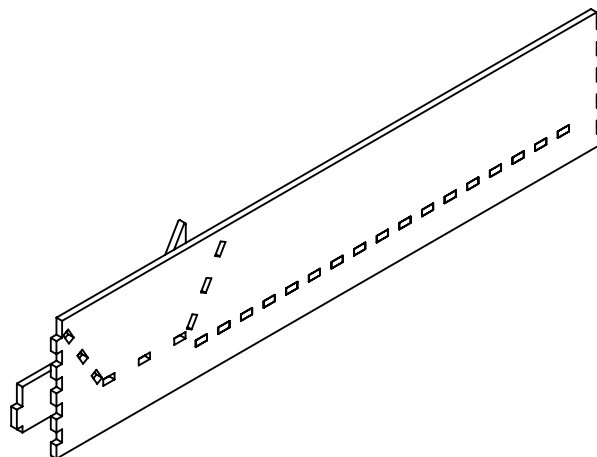


*Tip - Fully assemble each step to ensure a proper fit and location of every piece. All separators and dividers will be flush on the top when properly installed.

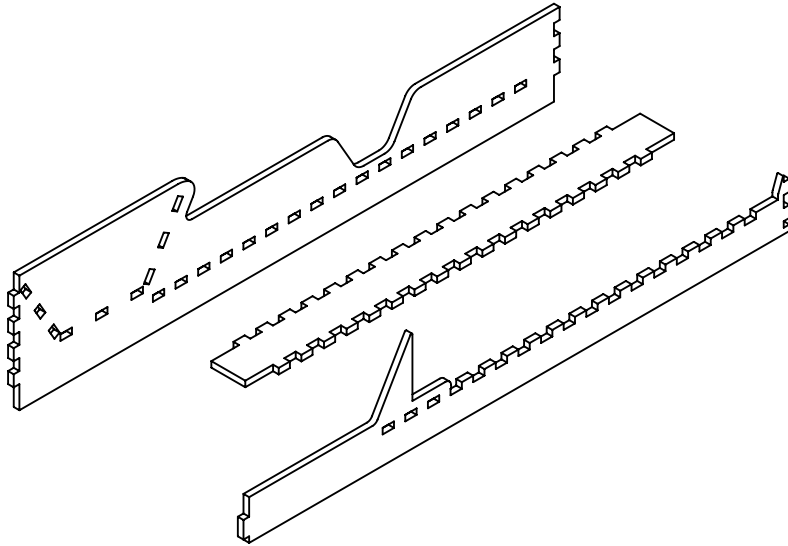
Once each step is assembled correctly, disassemble and reassemble while adding a small drop of super glue to every intersection where the parts slide together.

Step 1: Separate all of the pieces from their frames.

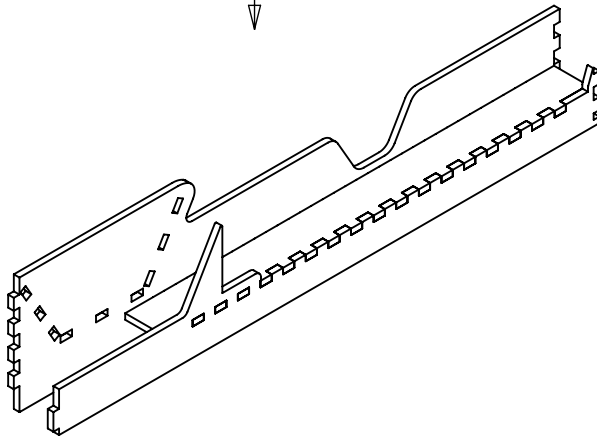
Step 2: Assemble the Side Tray Support as shown. Set aside until Step 5.



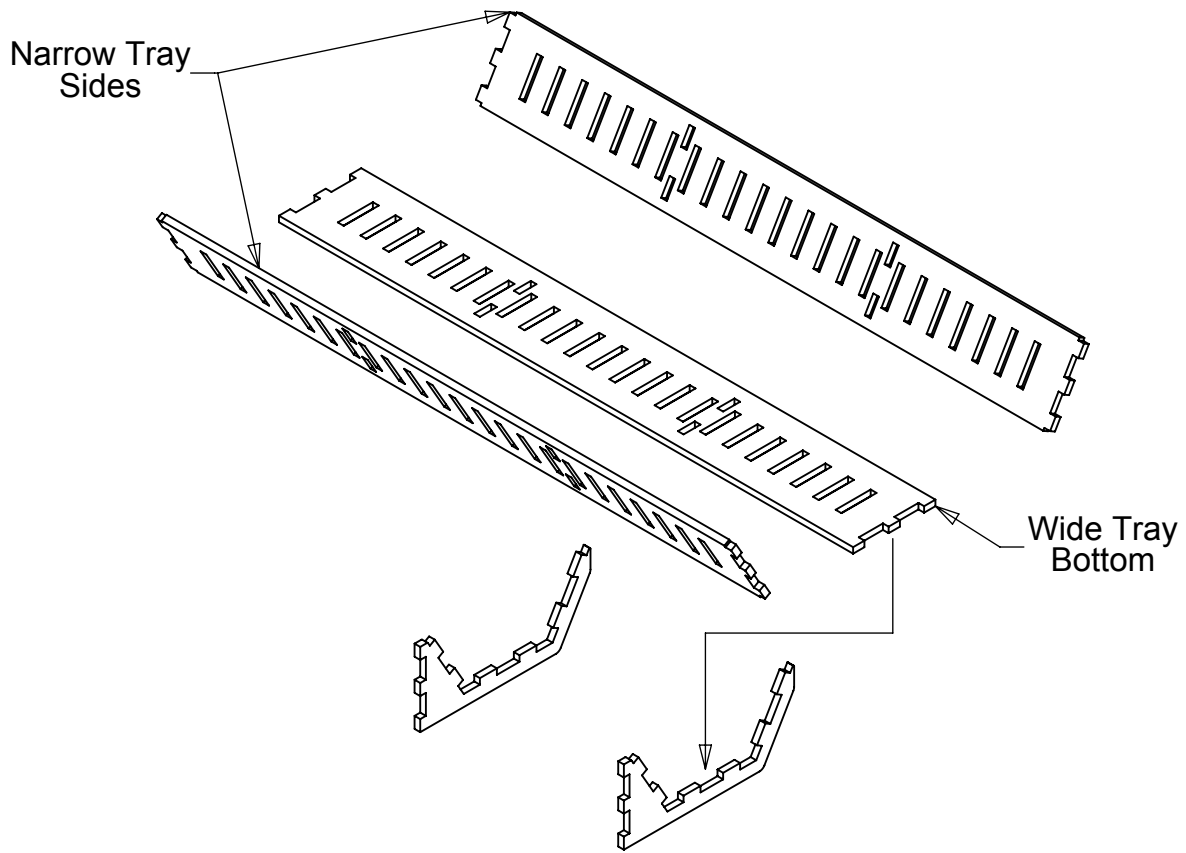
Settlers of Catan Case Organizer (con't)



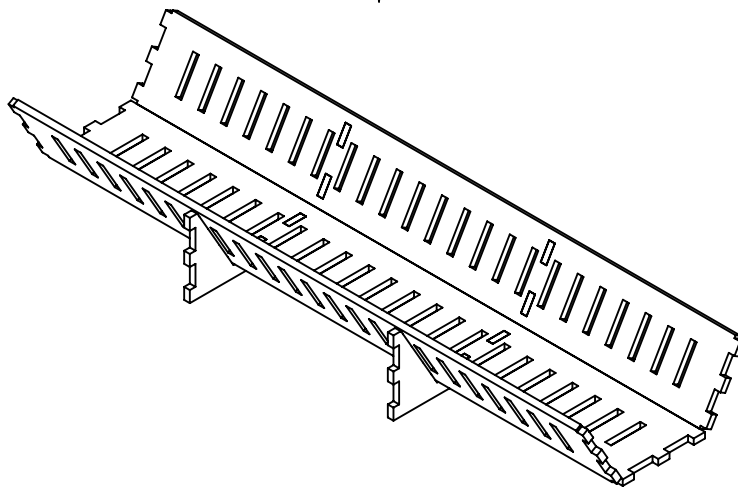
Step 3: Assemble the Side Tray Support as shown and set aside until Step 5.



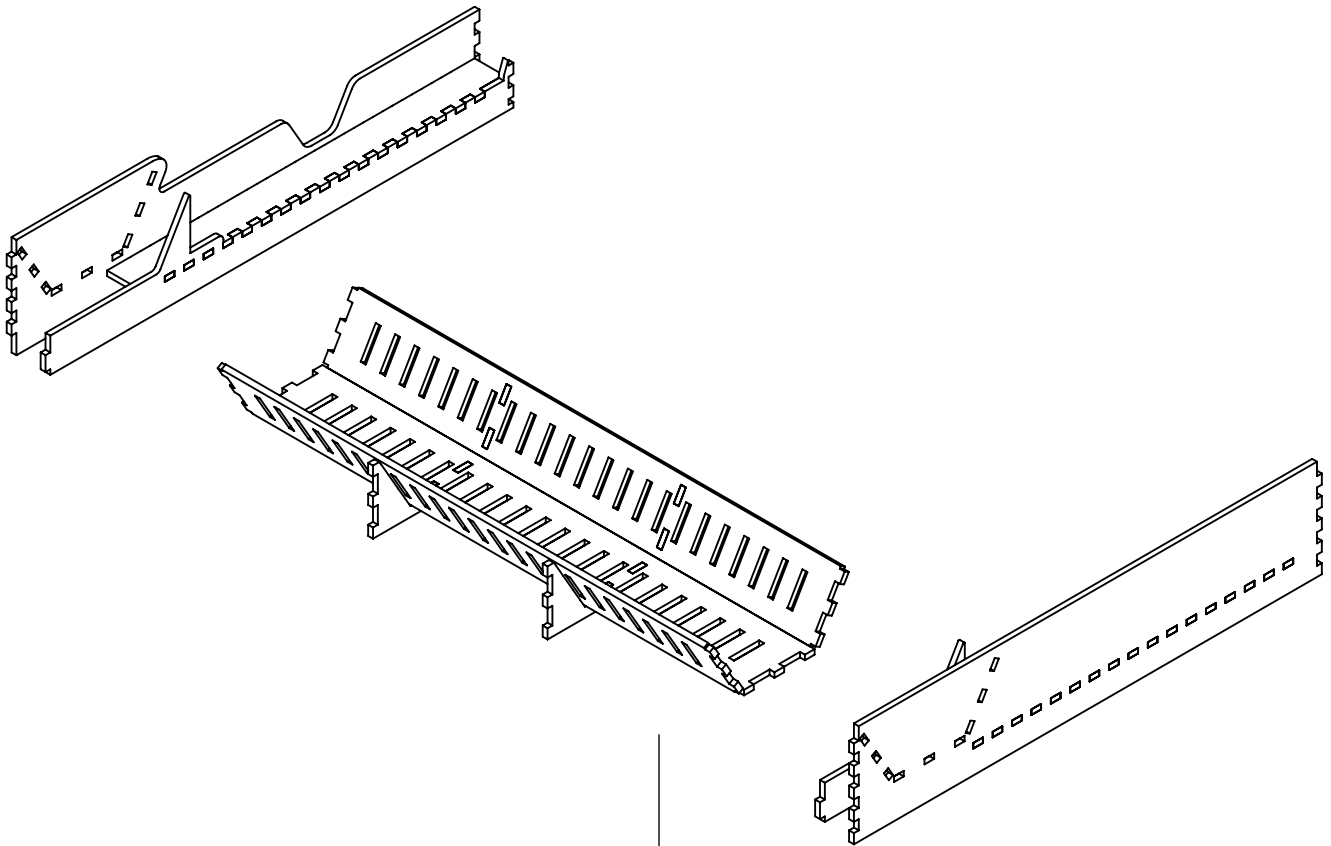
Settlers of Catan Case Organizer (con't)



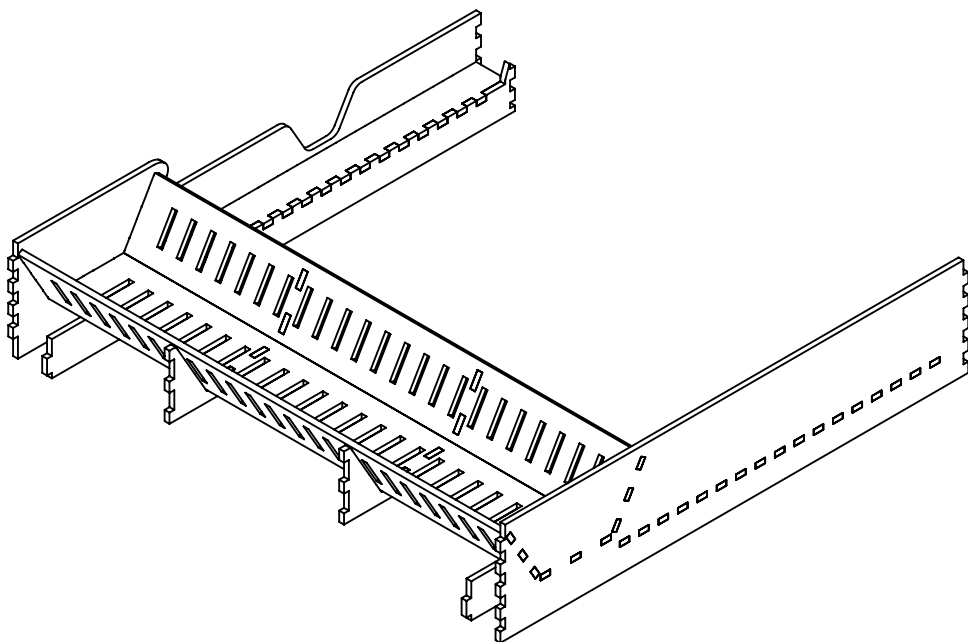
Step 4: Assemble the Land Tile Tray as shown and set aside until Step 5.



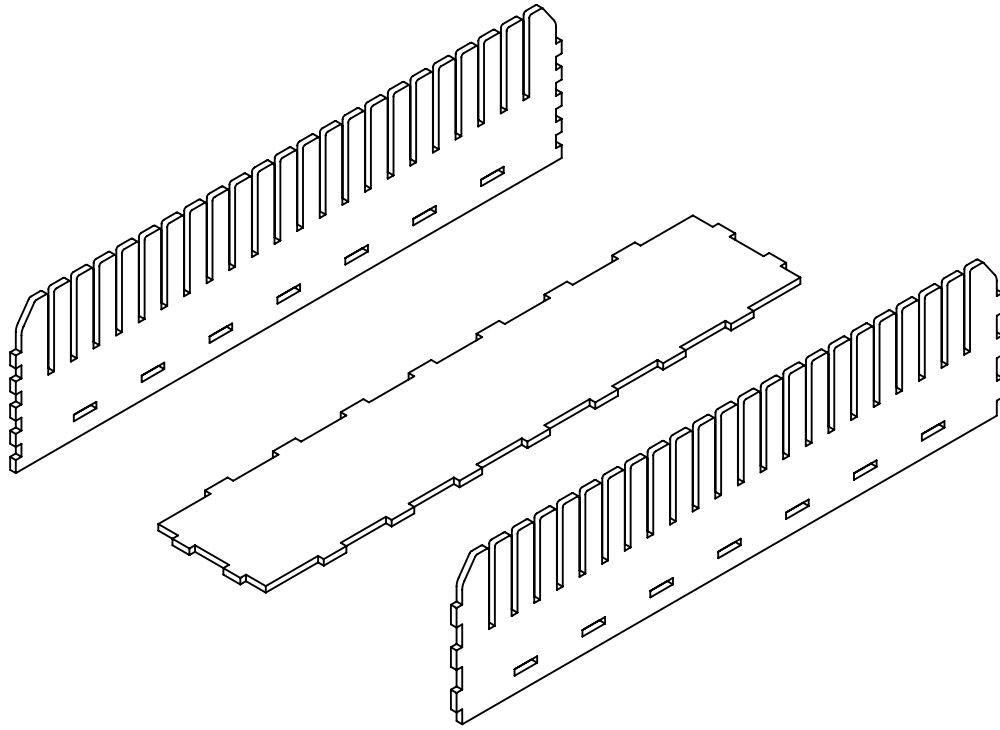
Settlers of Catan Case Organizer (con't)



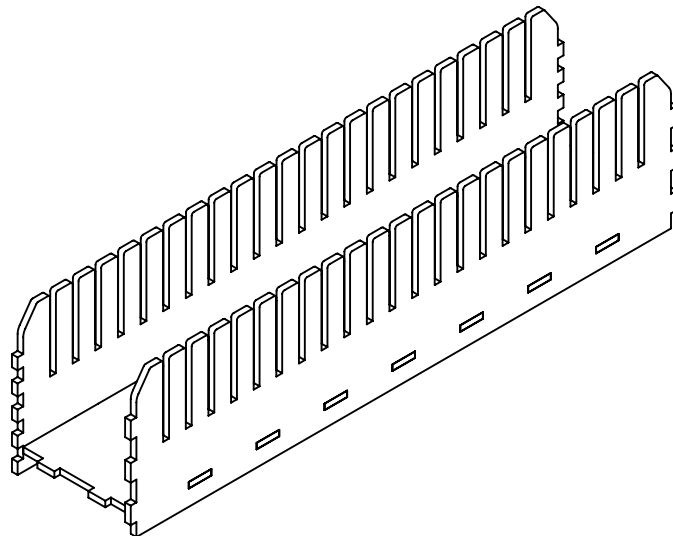
Step 5: Assemble the Side Tray Supports to the Land Tile Tray as shown. Set aside until Step 7.



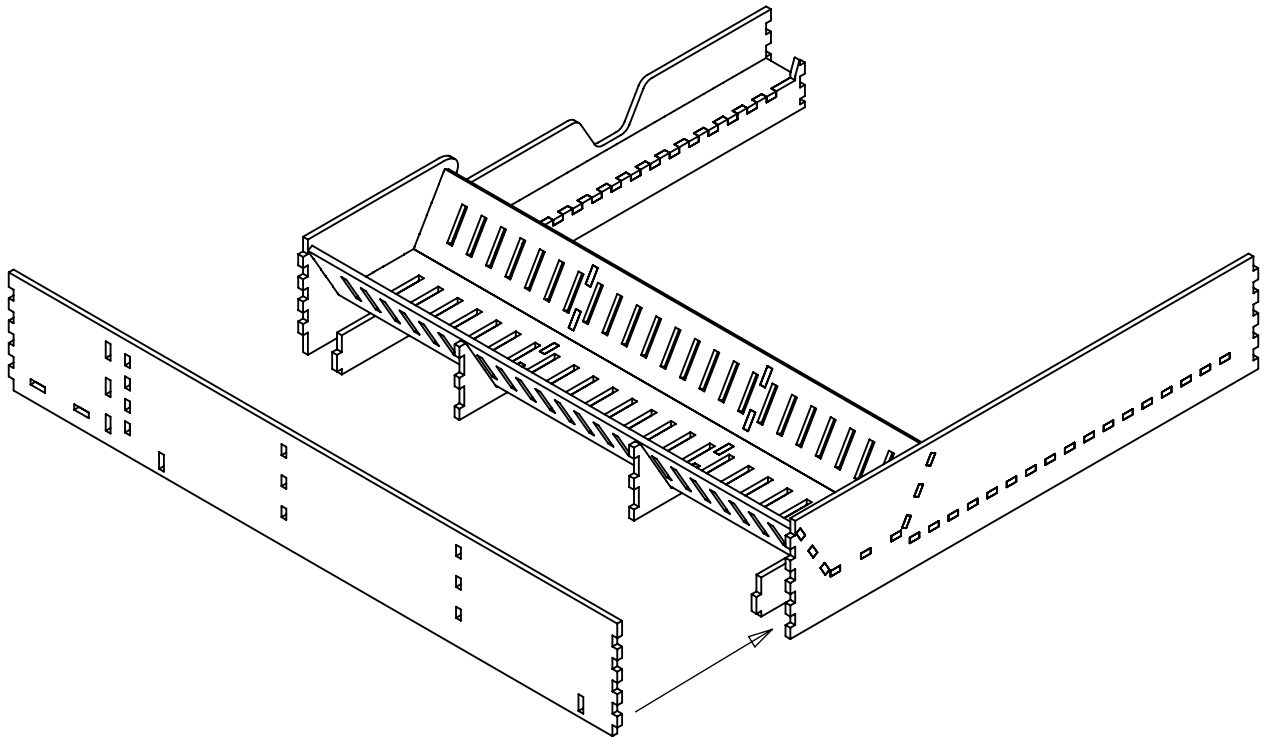
Settlers of Catan Case Organizer (con't)



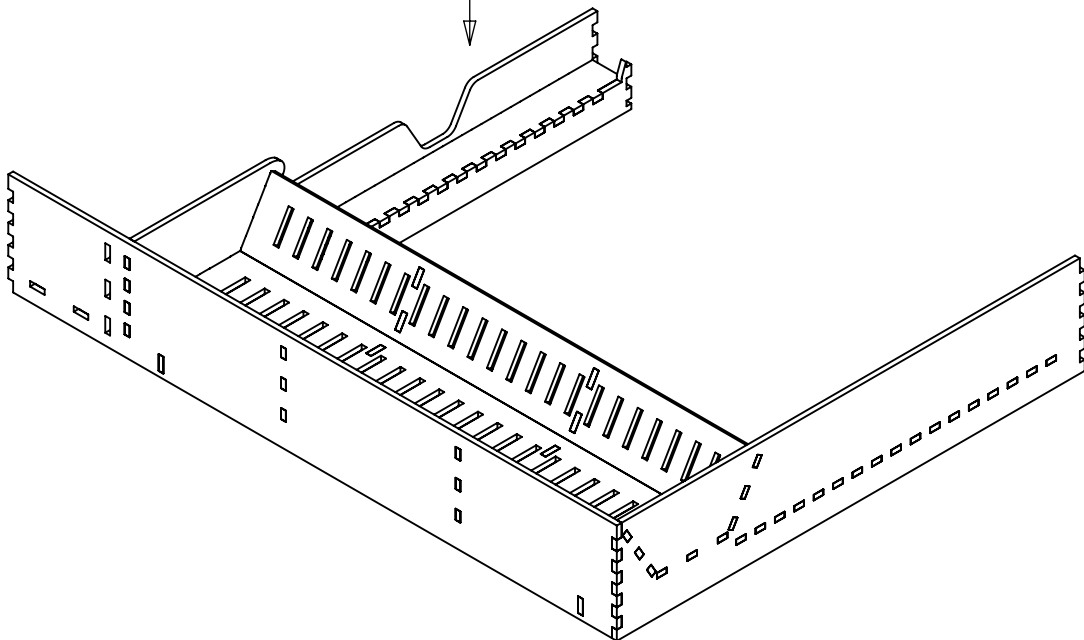
Step 6: Assemble the Card Holder Tray as shown and set aside until Step 8.



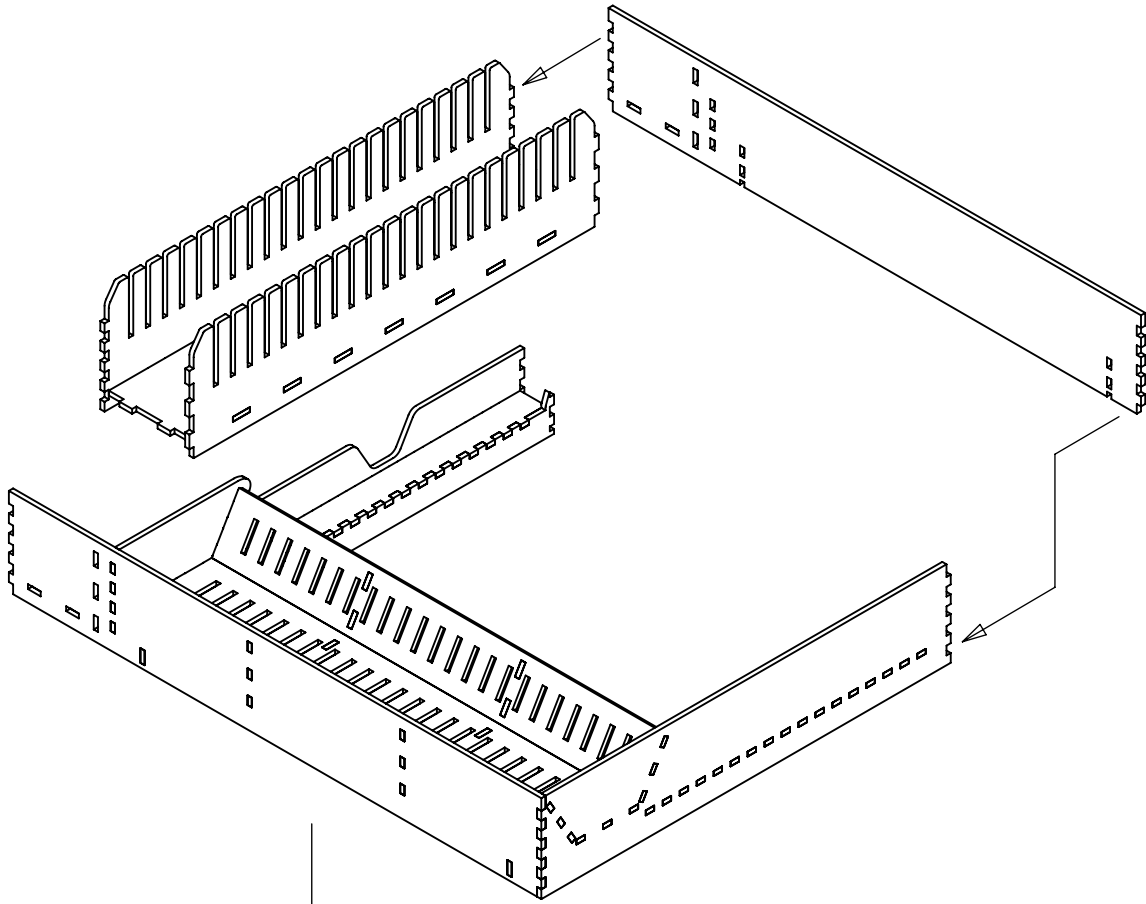
Settlers of Catan Case Organizer (con't)



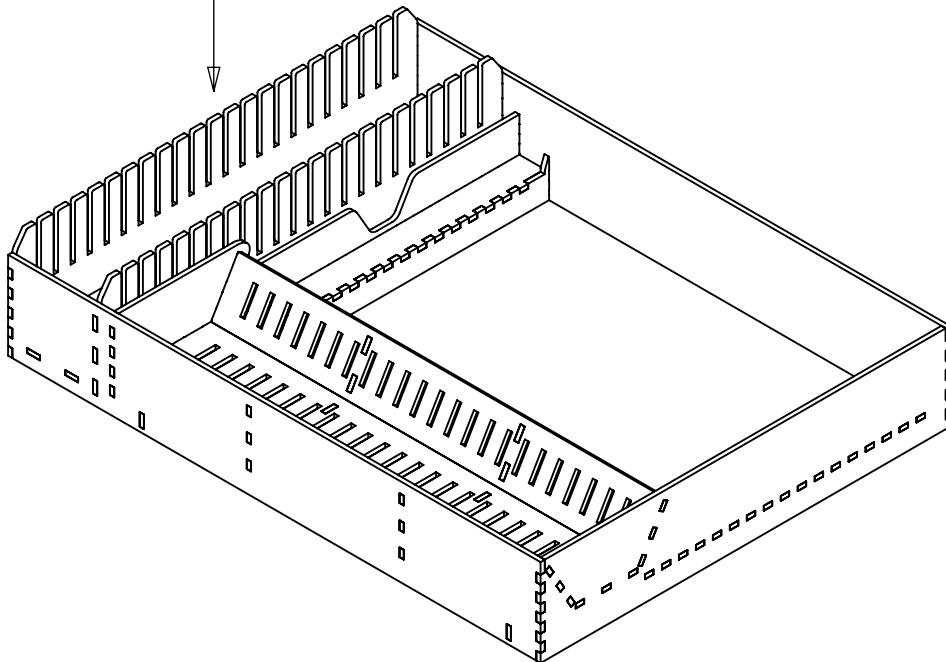
Step 7: Assemble the Front Divider to the Land Tile Tray as shown.



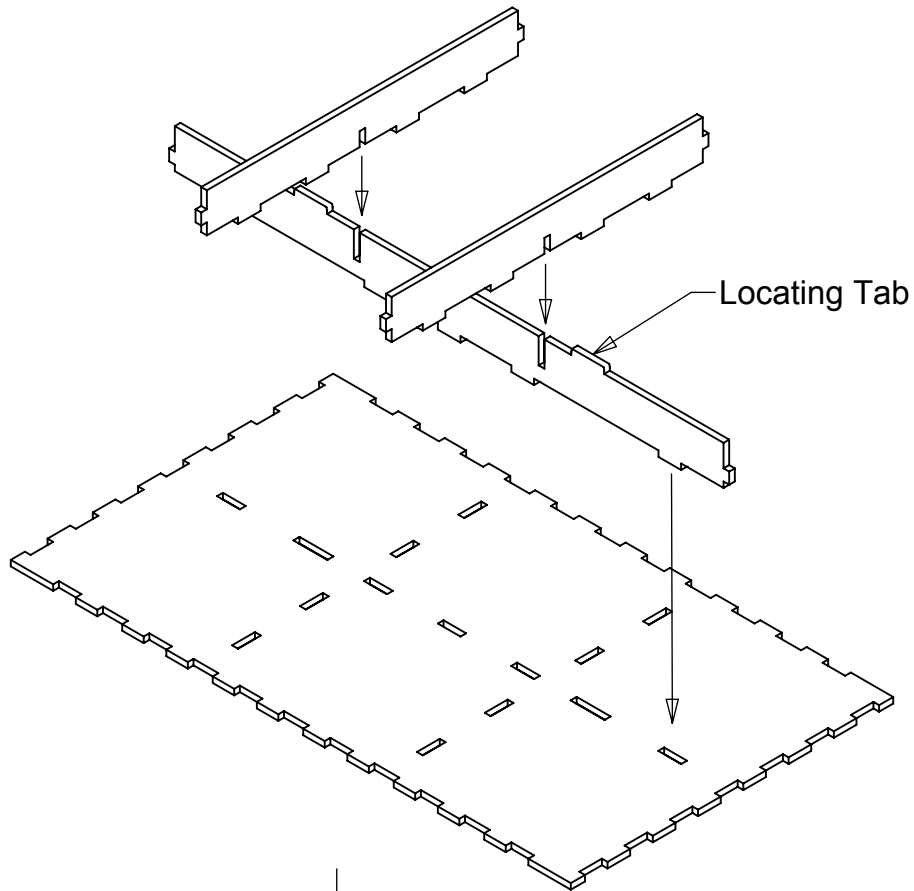
Settlers of Catan Case Organizer (con't)



Step 8: Finish by attaching the Card Holder Tray and the Rear Divider as shown.

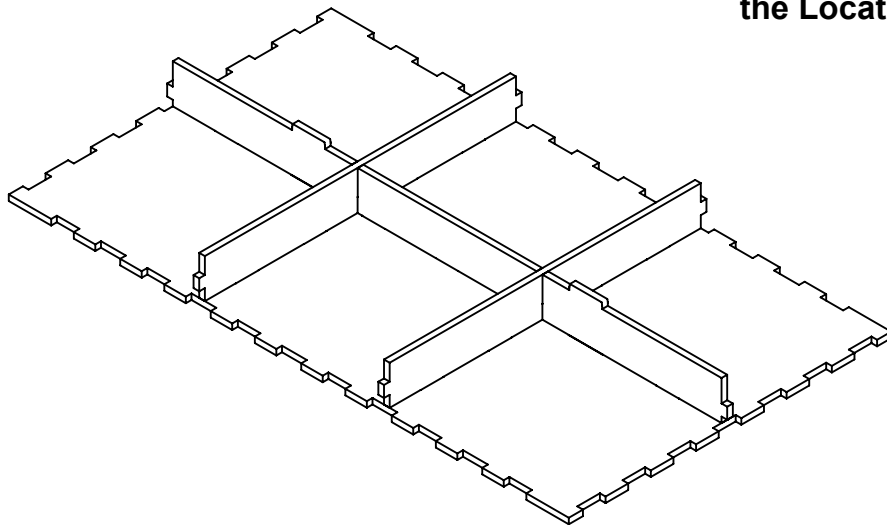


Settlers of Catan Case Organizer (con't)

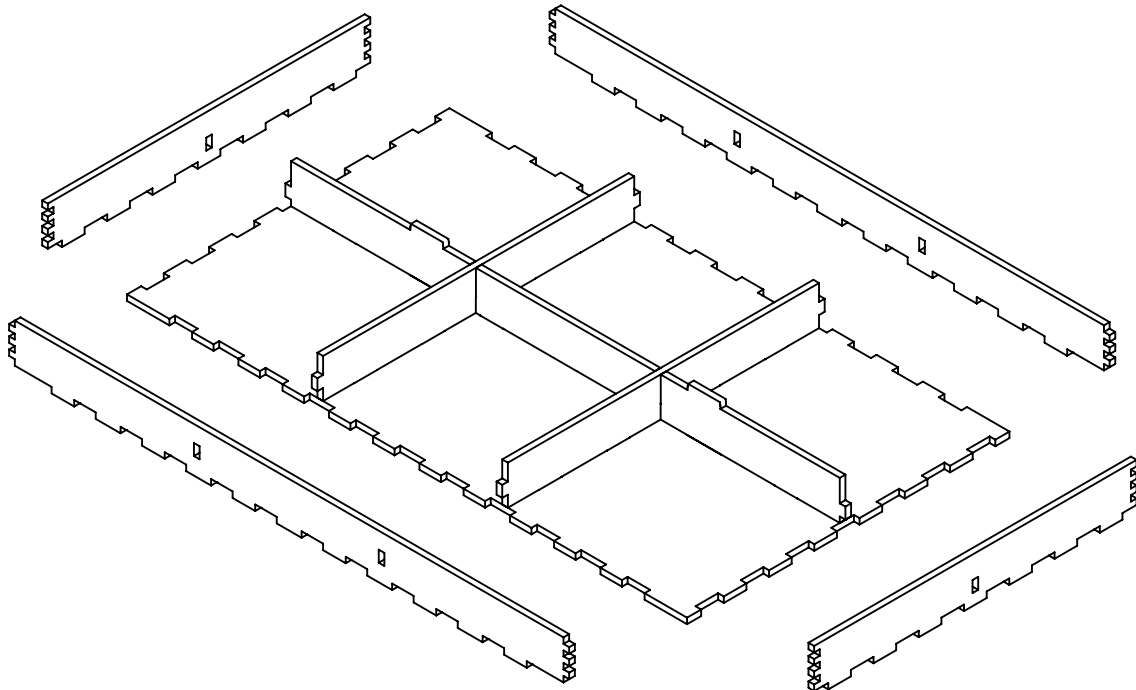


Step 9: Tray 1:
Insert the Center Dividers into
the Tray Bottom as shown.

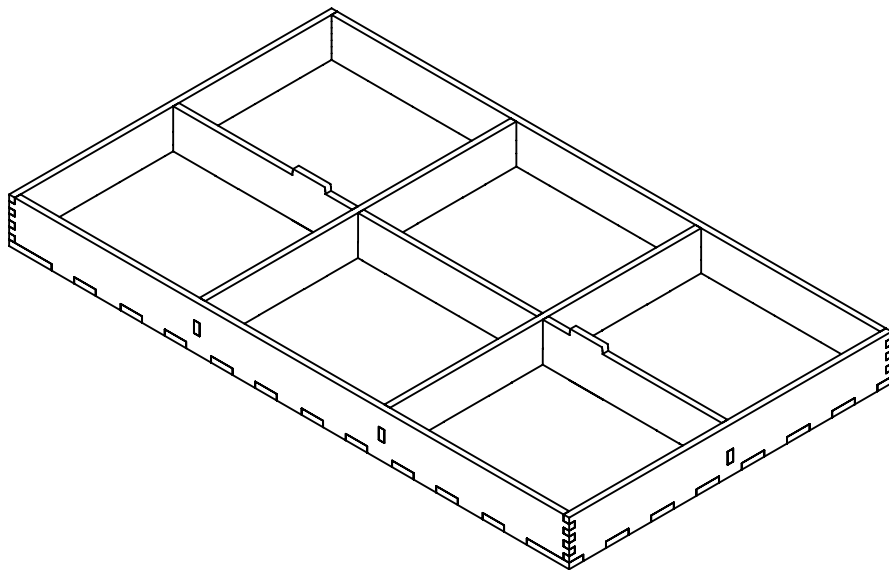
**Do not place Super glue under
the Locating Tab.**



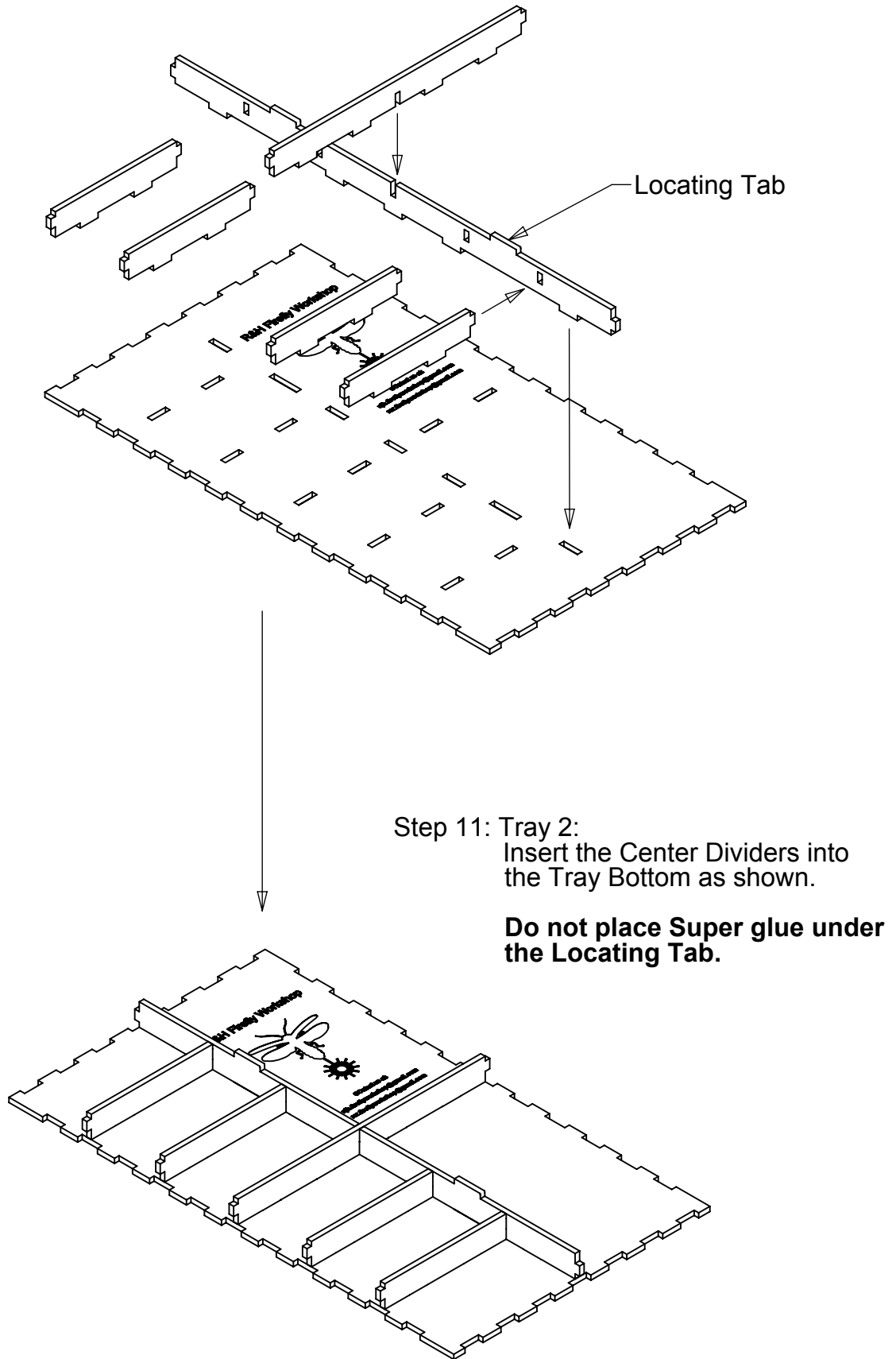
Settlers of Catan Case Organizer (con't)



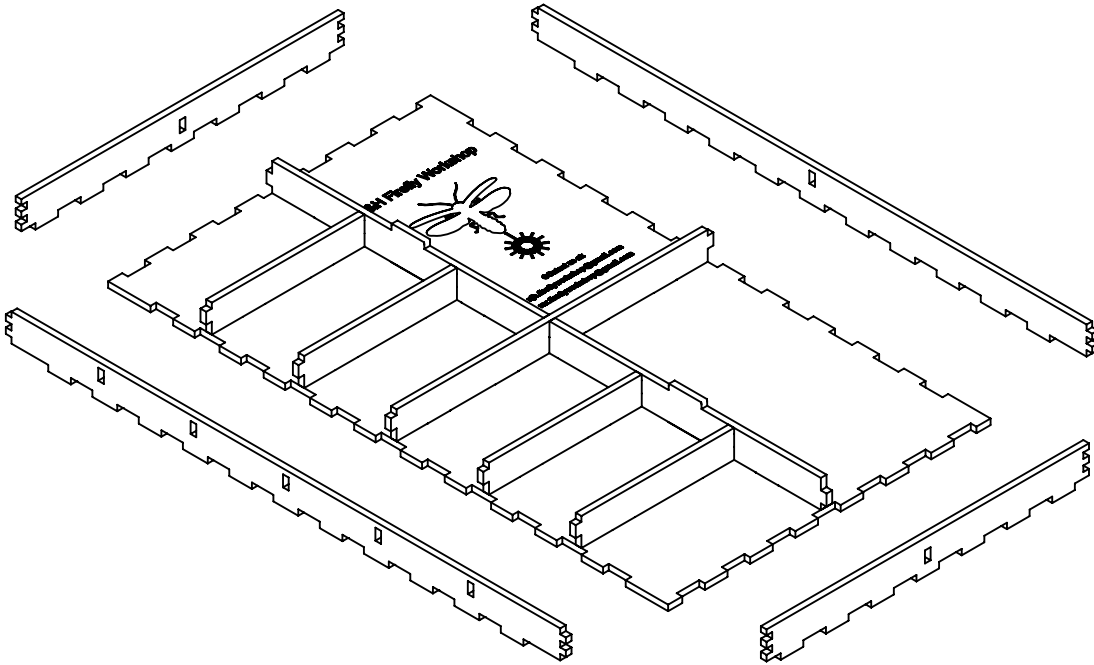
Step 10: Finish by attaching the Card Holder Tray and the Side Dividers as shown.



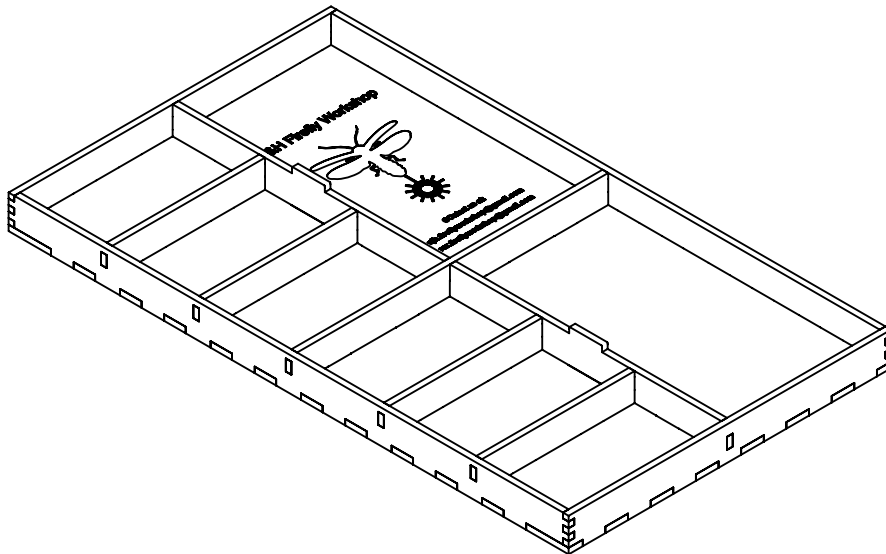
Settlers of Catan Case Organizer (con't)



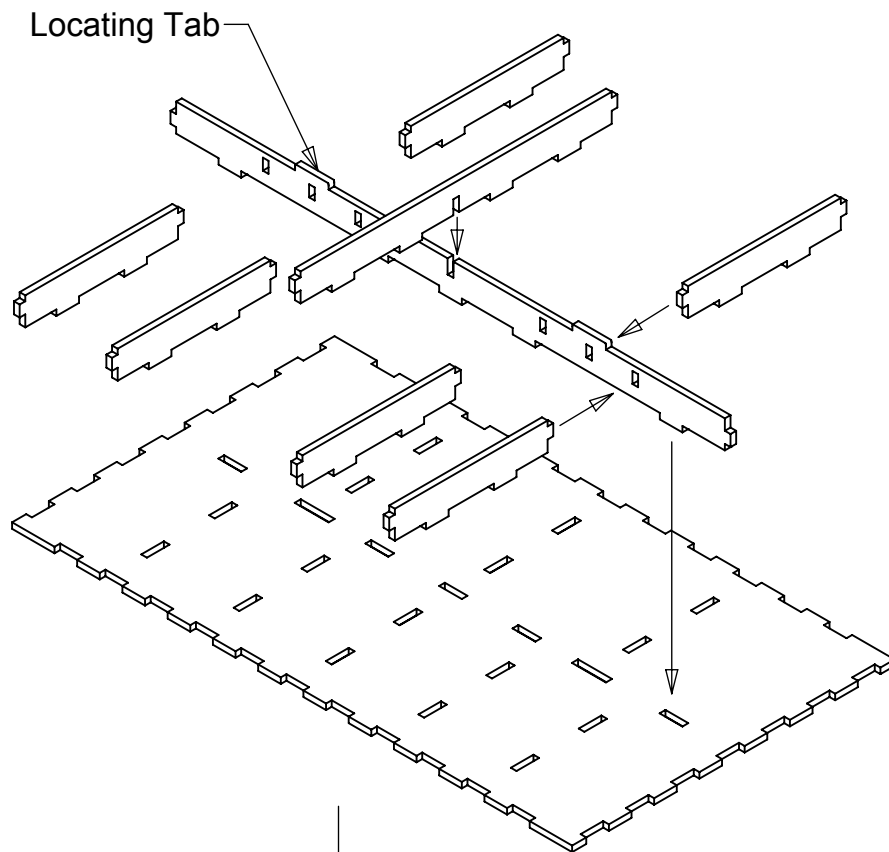
Settlers of Catan Case Organizer (con't)



Step 12: Finish by attaching the Card Holder Tray and the Side Dividers as shown.

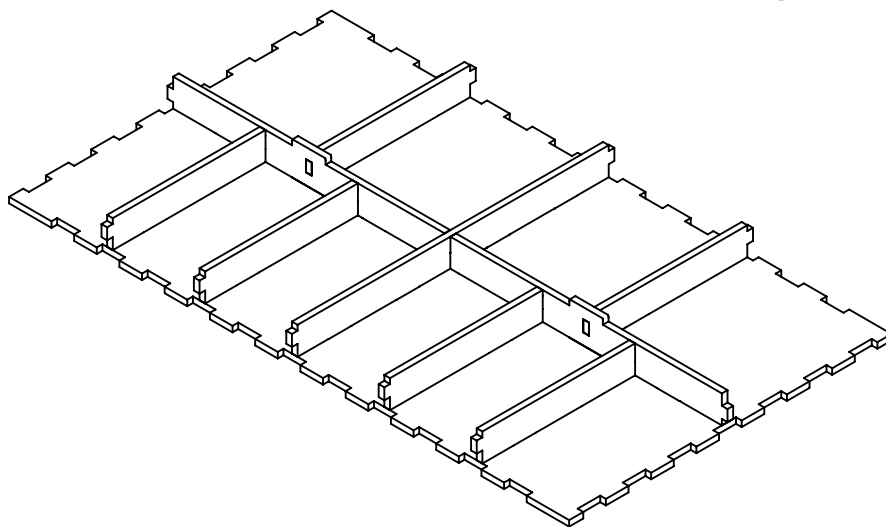


Settlers of Catan Case Organizer (con't)

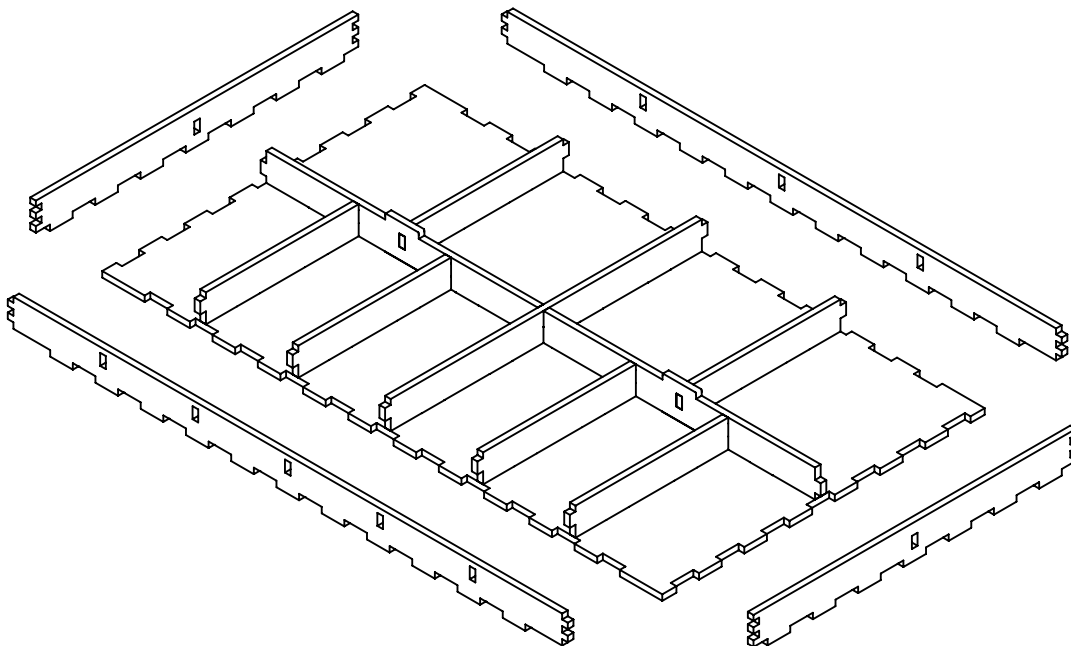


Step 13: Tray 3:
Insert the Center Dividers into
the Tray Bottom as shown.

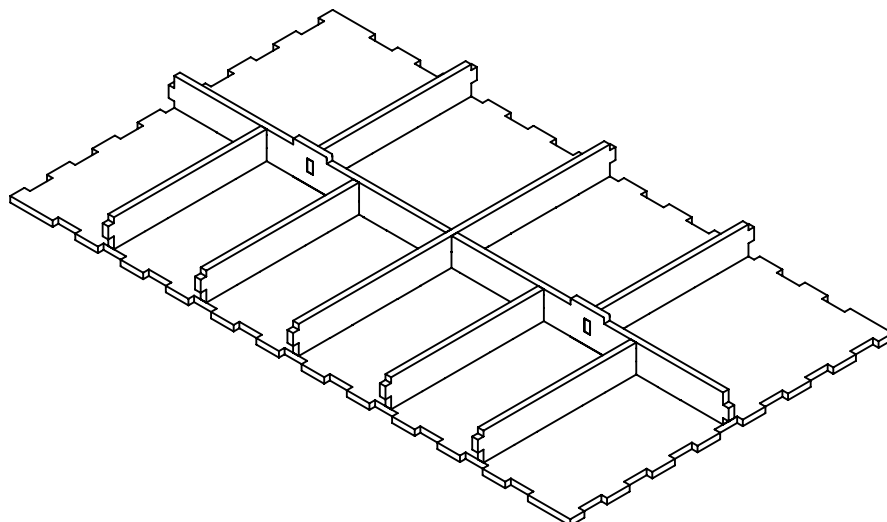
**Do not place Super glue under
the Locating Tab.**



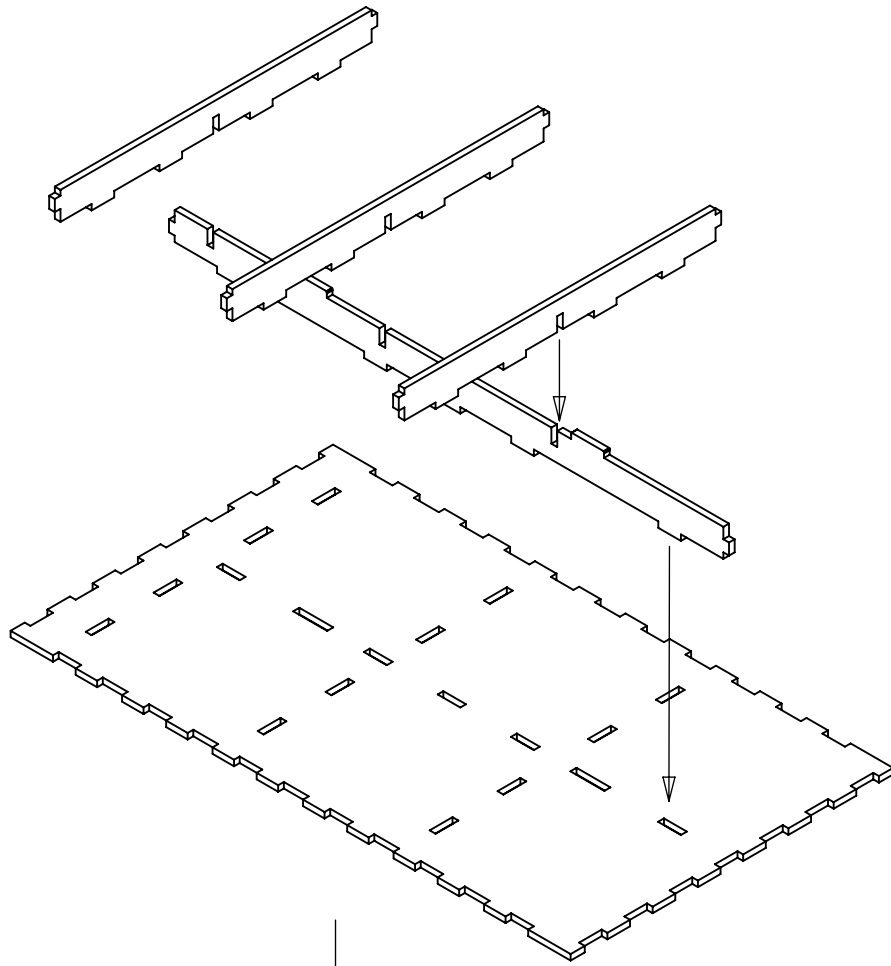
Settlers of Catan Case Organizer (con't)



Step 14: Finish by attaching the Card Holder Tray and the Side Dividers as shown.

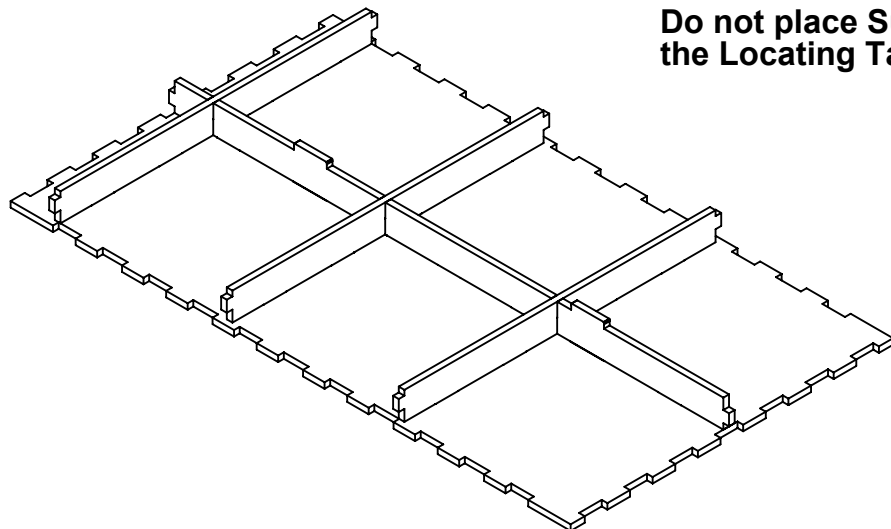


Settlers of Catan Case Organizer (con't)

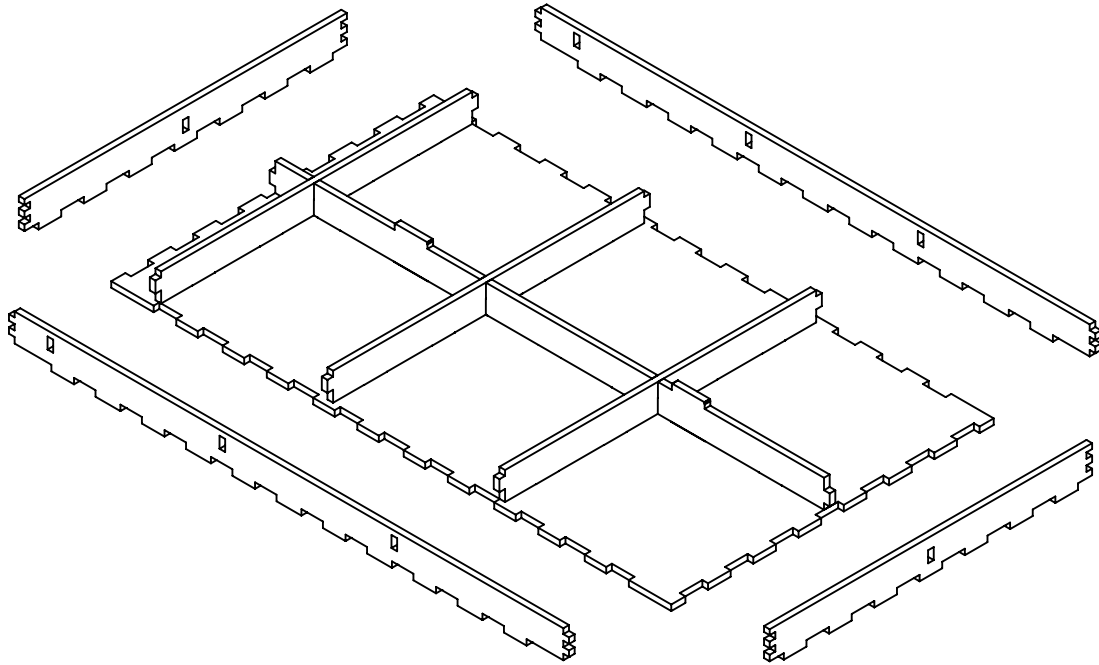


Step 15: Tray 4:
Insert the Center Dividers into
the Tray Bottom as shown.

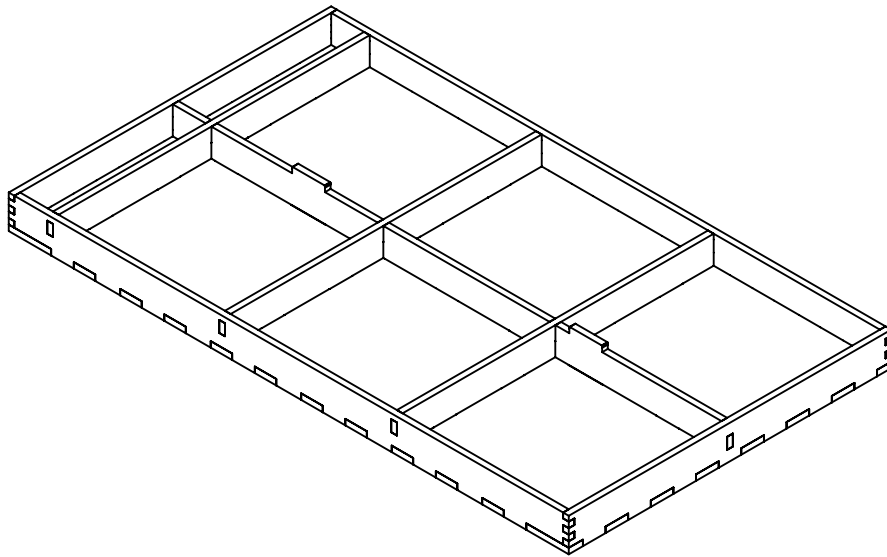
**Do not place Super glue under
the Locating Tab.**



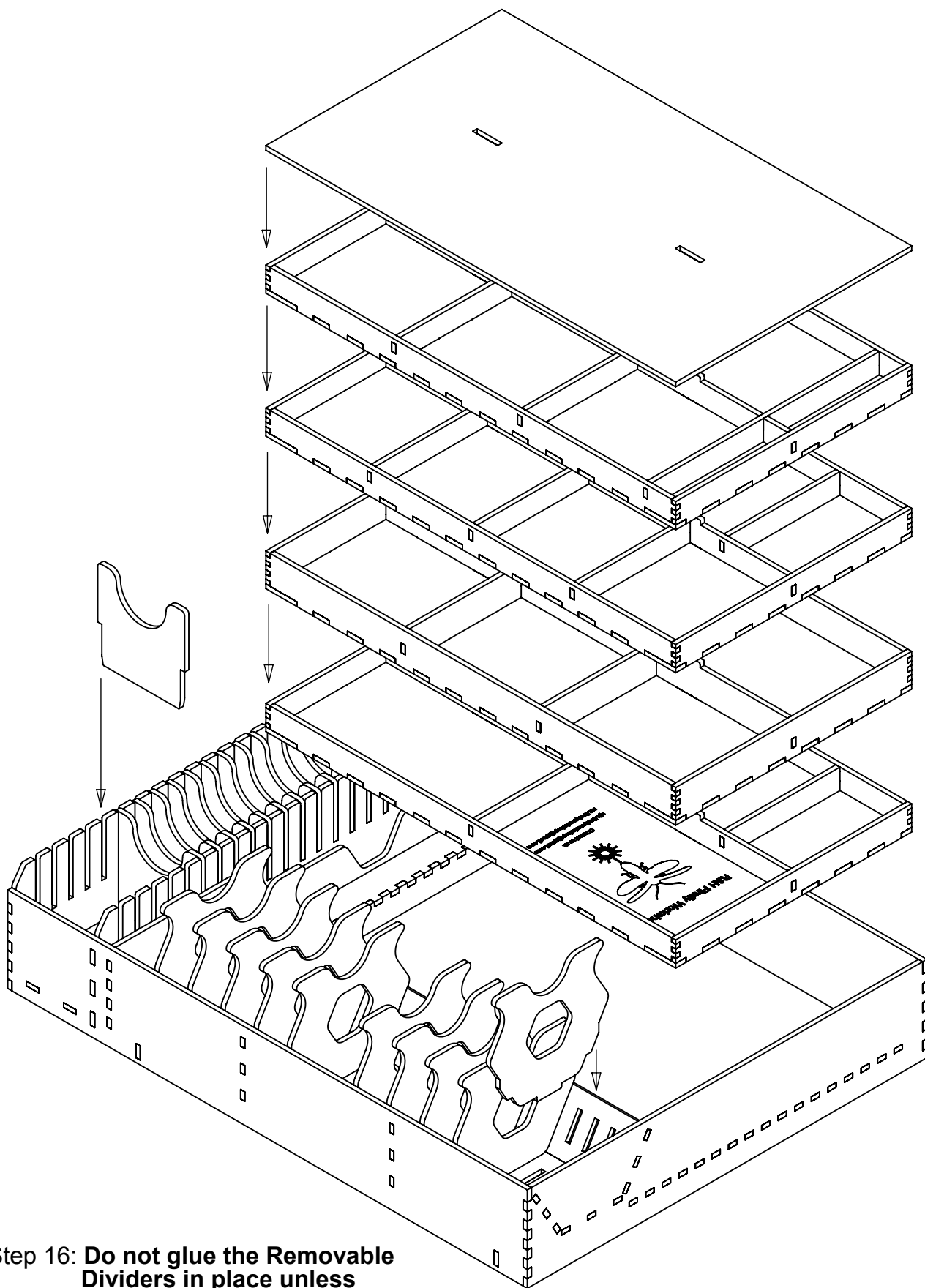
Settlers of Catan Case Organizer (con't)



Step 16: Finish by attaching the Card Holder Tray and the Side Dividers as shown.



Settlers of Catan Case Organizer (con't)



Step 16: **Do not glue the Removable Dividers in place unless Desired.**