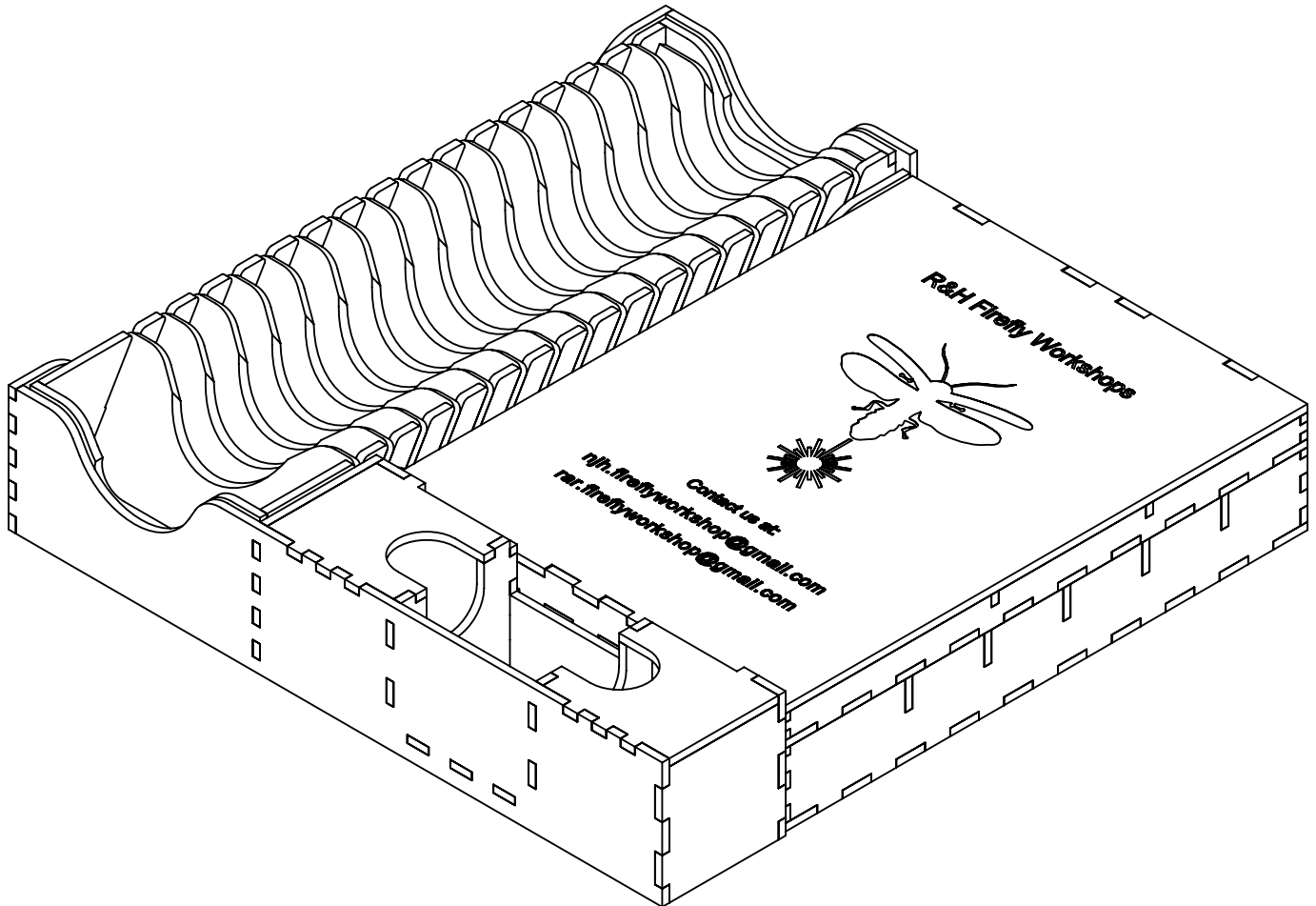


Android Box Organizer

By R&H Firefly Workshops



Box Organizer Includes:

- Step by Step Instructions
- Removable Card Tray (Qty. 1)
- Removable Token Tray (Qty. 2)
- Removable Tray Lid (Qty. 1)
- Removable Card Dividers (Qty. 16)

Have a missing/damaged part? Have questions or comments?
Contact us at:

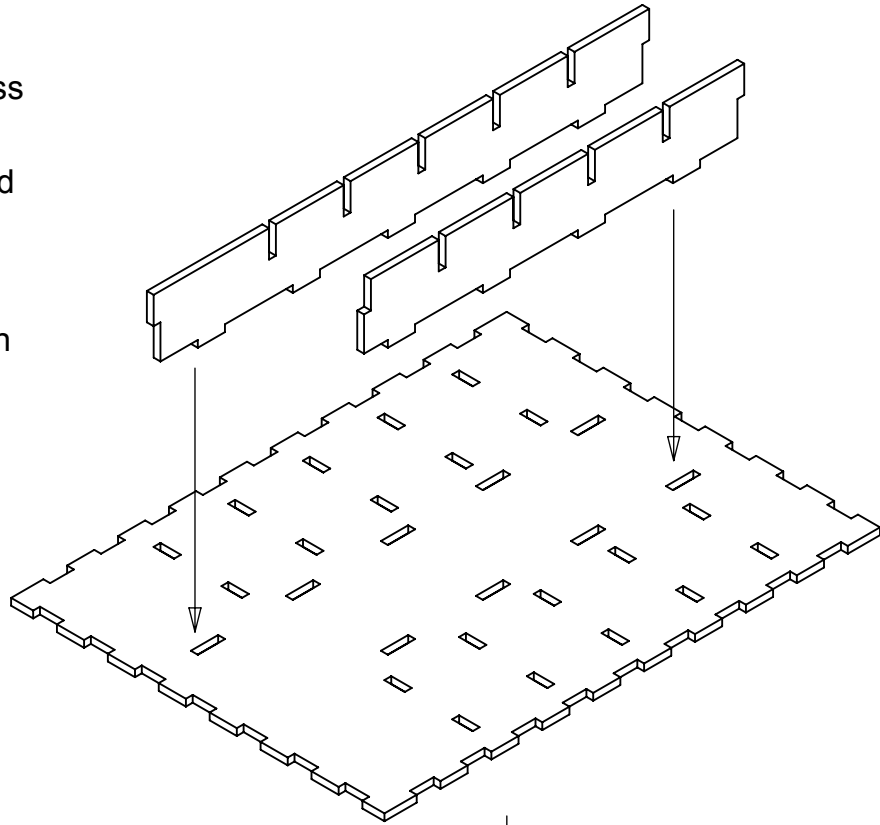
njh.fireflyworkshop@gmail.com
rar.fireflyworkshop@gmail.com

Android Box Organizer

By R&H Firefly Workshops

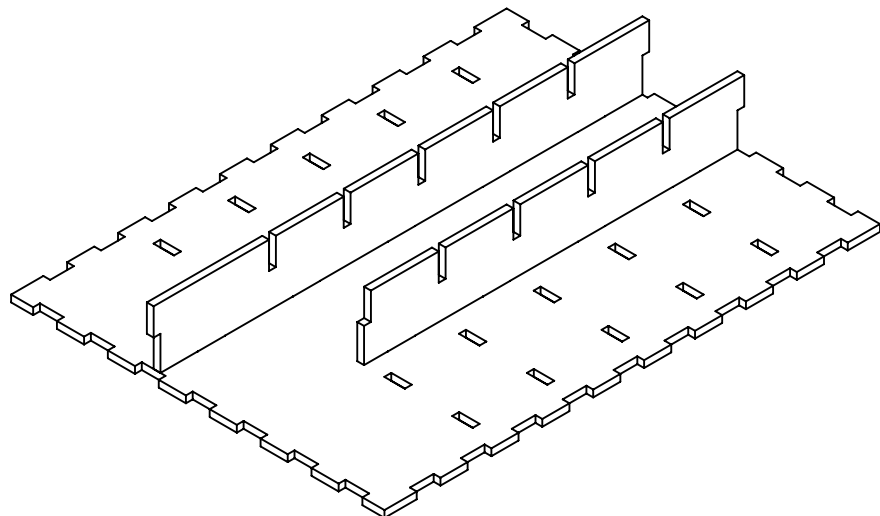
*Tip - Fully assemble each step to ensure a proper fit and location of every piece. All separators and dividers will be flush on the top/ends when properly installed unless shown otherwise.

Once each step is assembled correctly, disassemble and reassemble while adding a small drop of super glue to every intersection where the parts slide together. Then use paper towel to wipe any excess glue off of the edges.

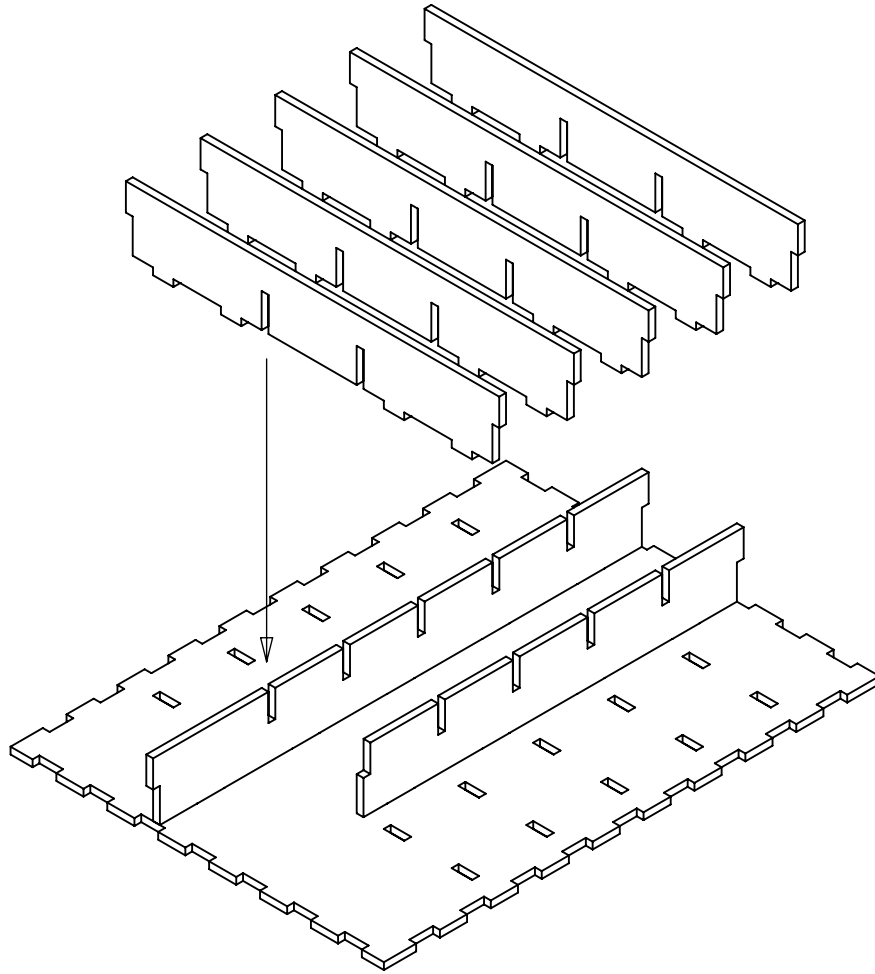


Step 1: Separate all of the pieces from their frames.

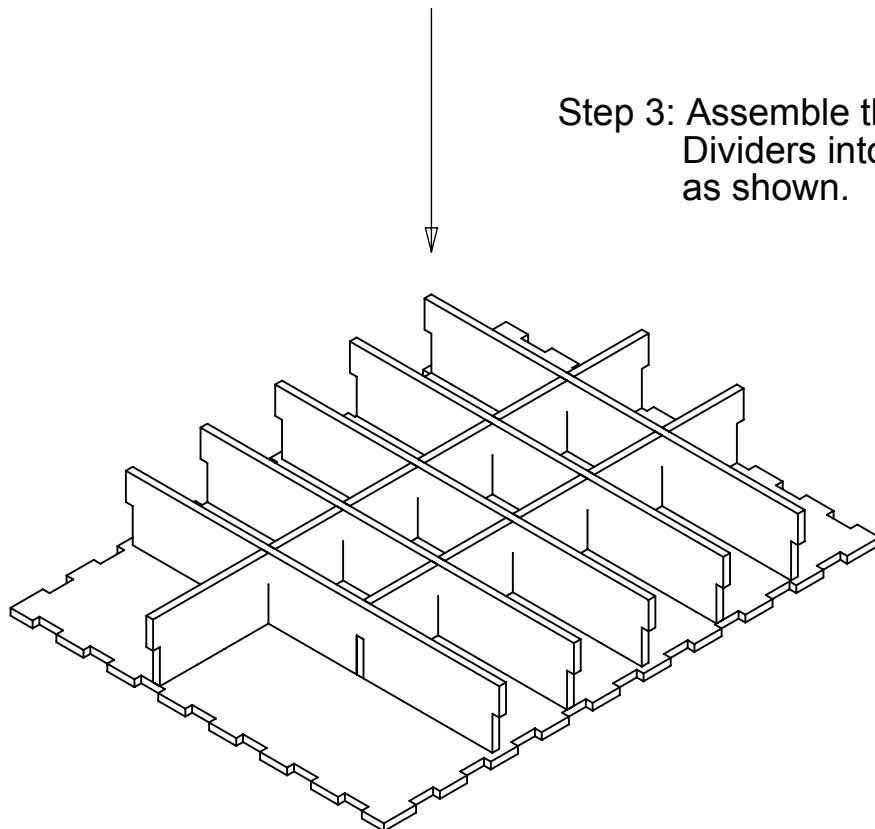
Step 2: Assemble Middle Dividers into the base as shown.



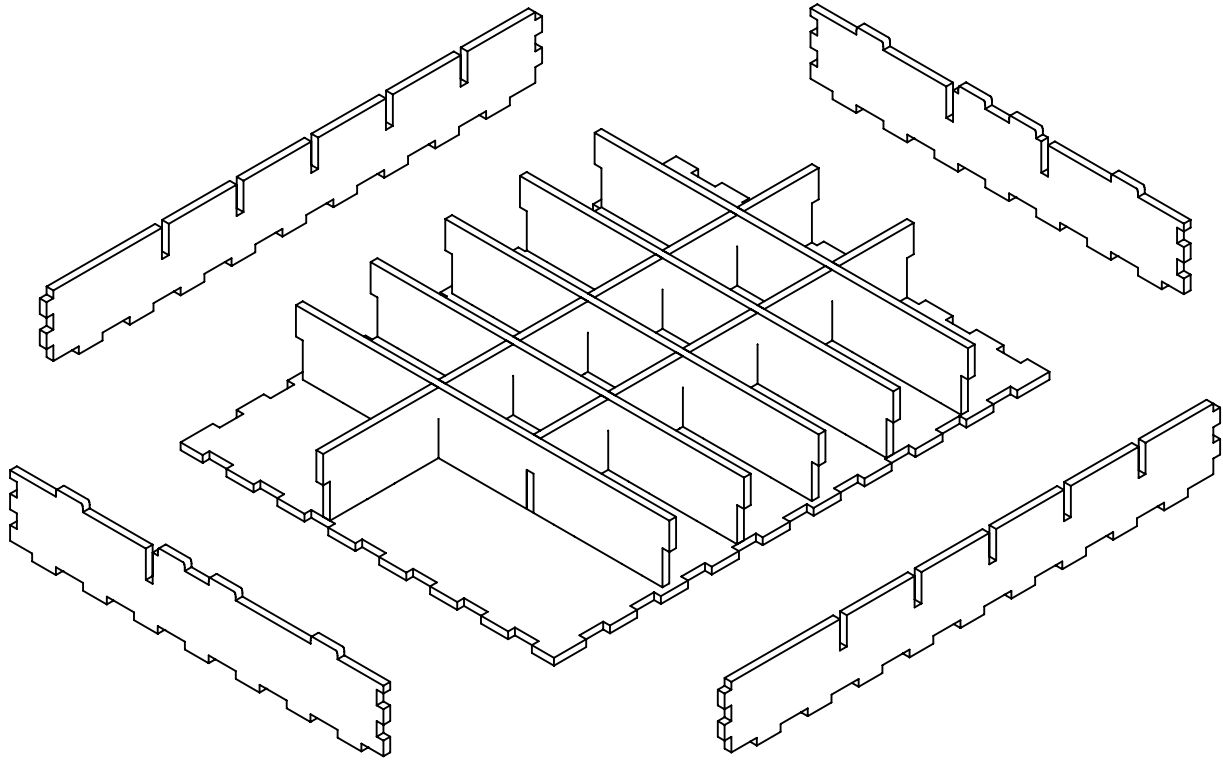
Android Box Organizer (con't)



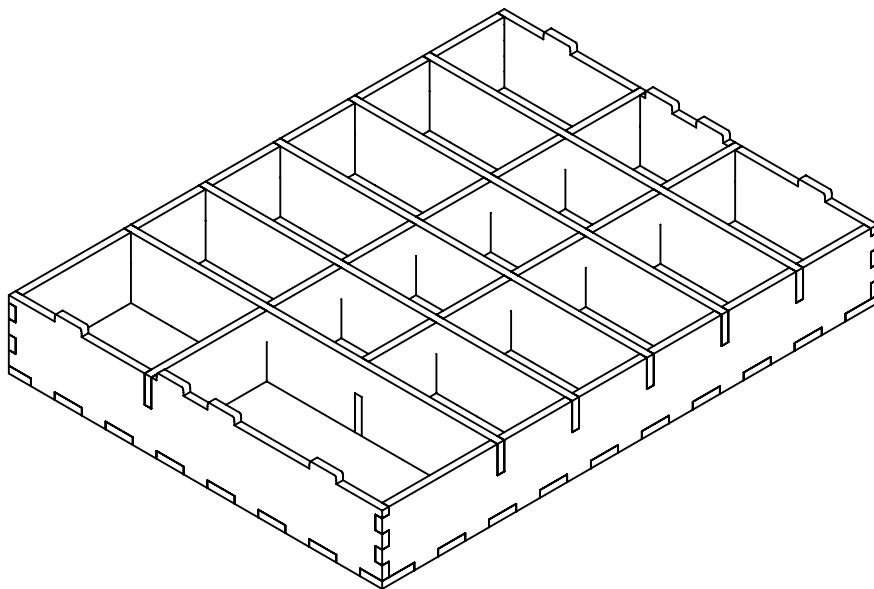
Step 3: Assemble the 5 Inside Dividers into the Tray Base as shown.



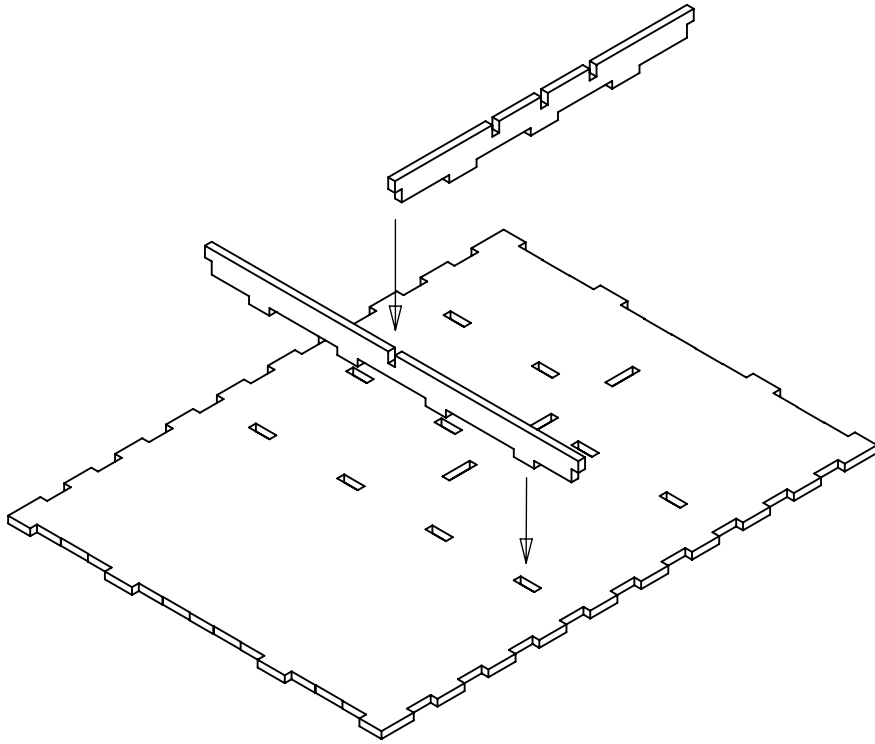
Android Box Organizer (con't)



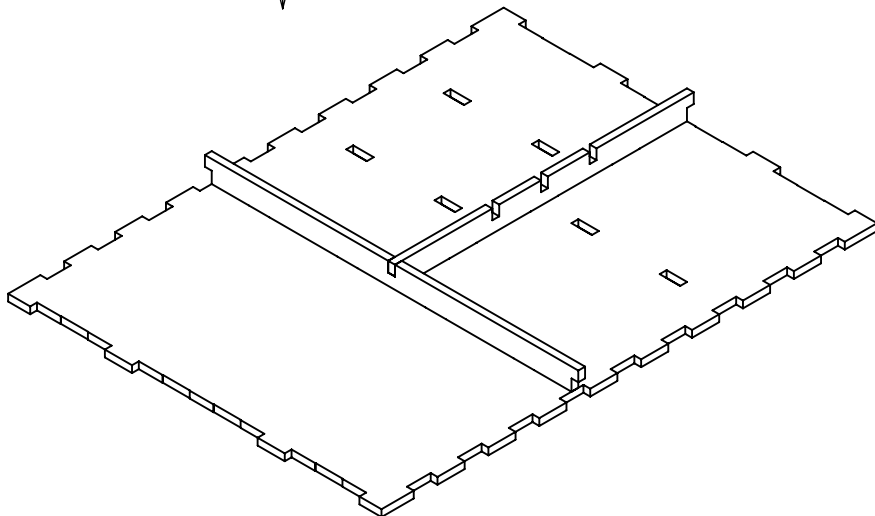
Step 4: Assemble the Tray Sides as shown and set aside until Final Assembly.



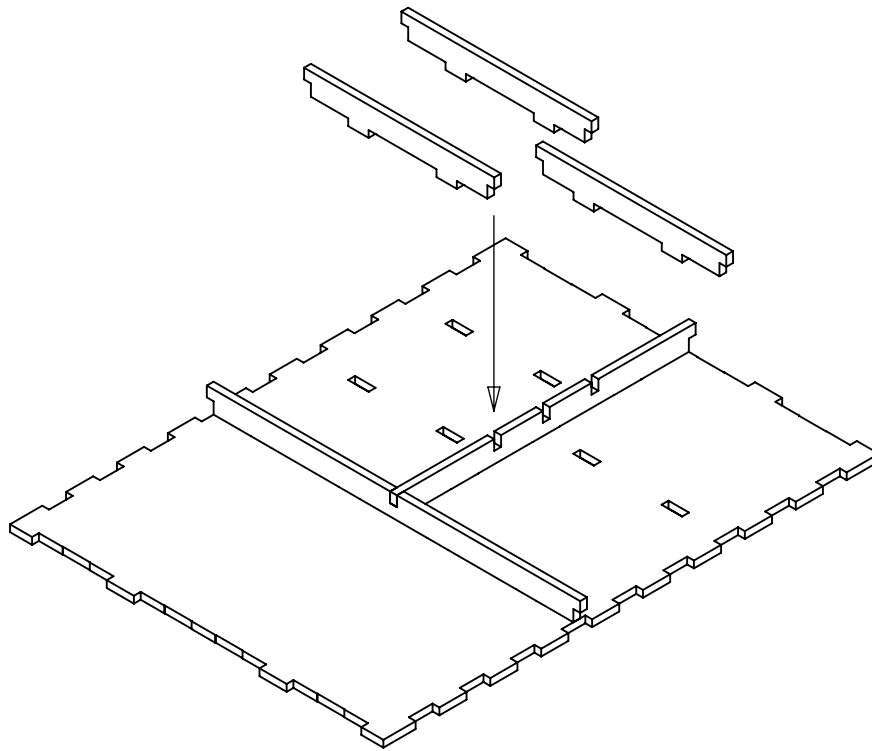
Android Box Organizer (con't)



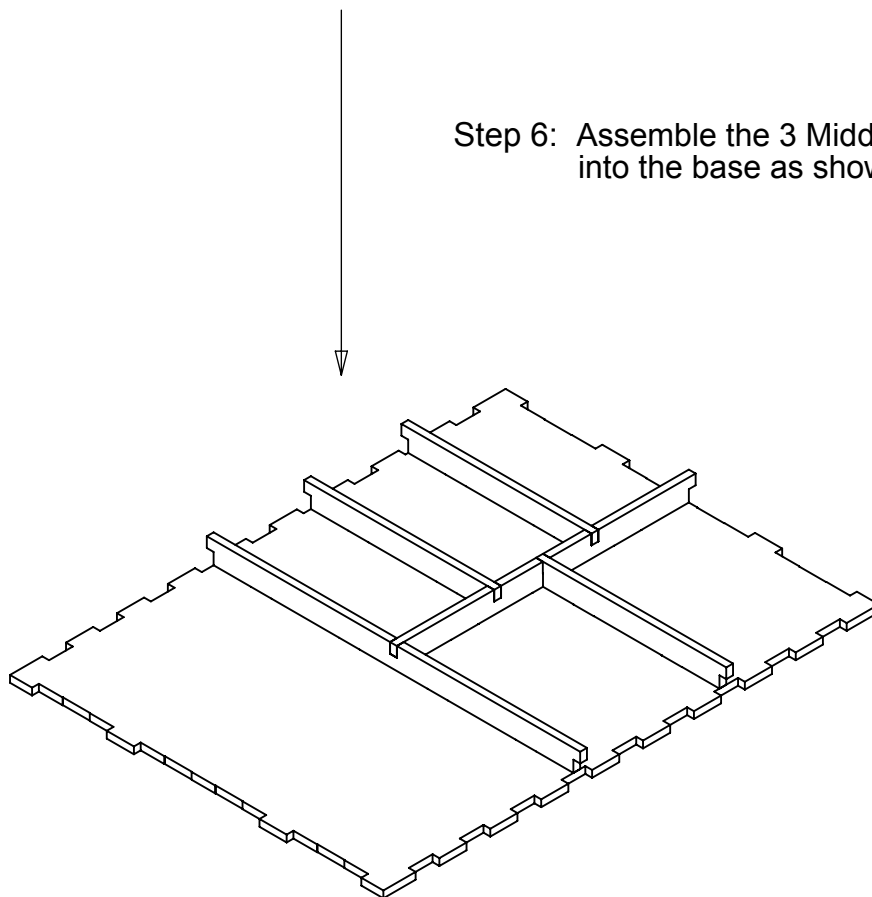
Step 5: Assemble the Middle Dividers
into the base as shown.



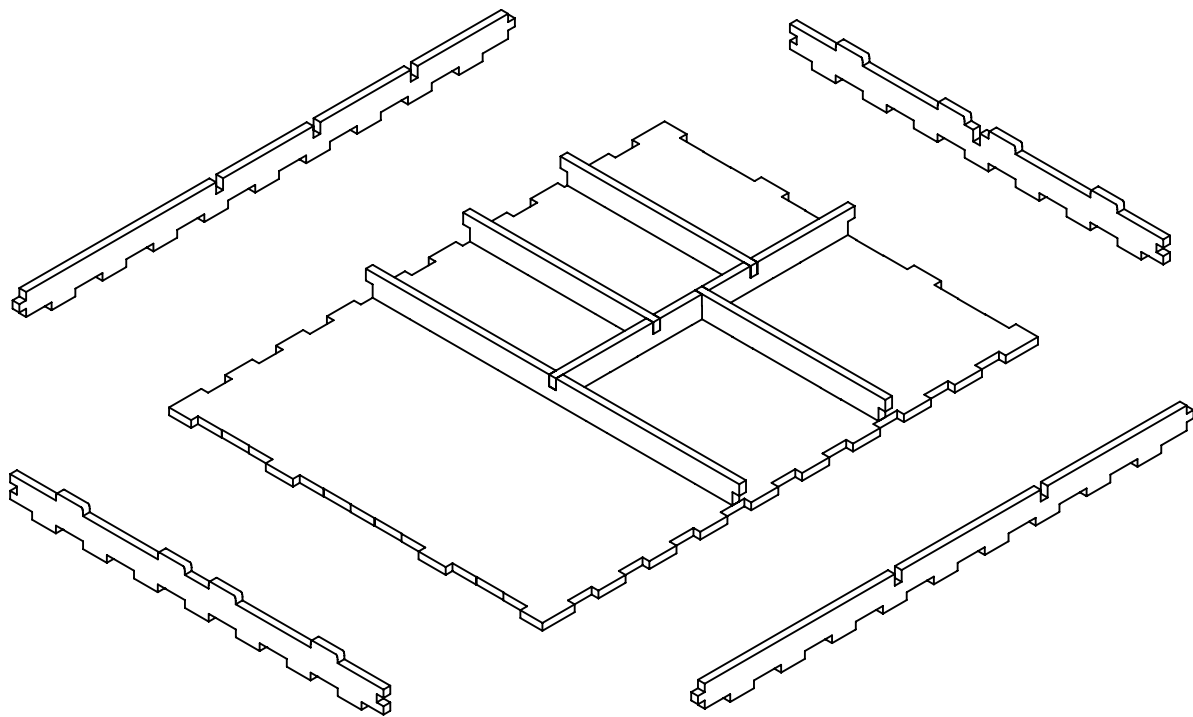
Android Box Organizer (con't)



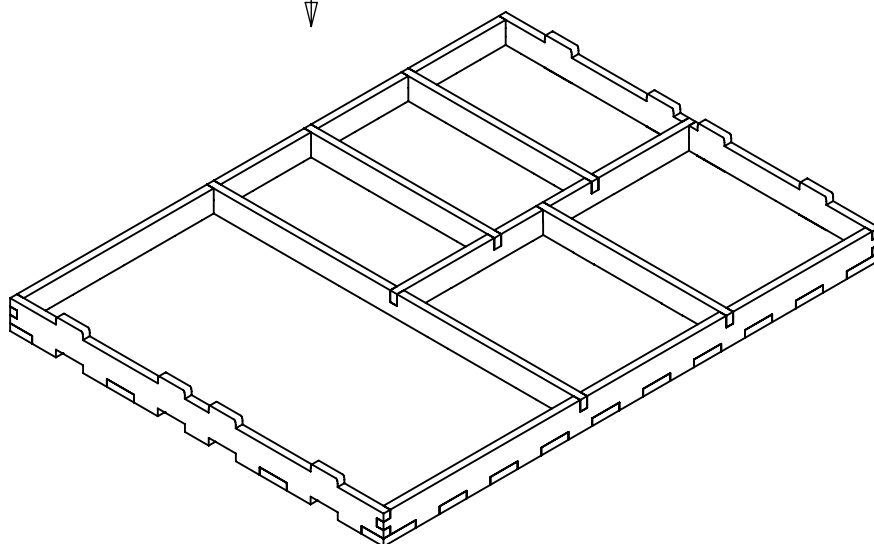
Step 6: Assemble the 3 Middle Dividers into the base as shown.



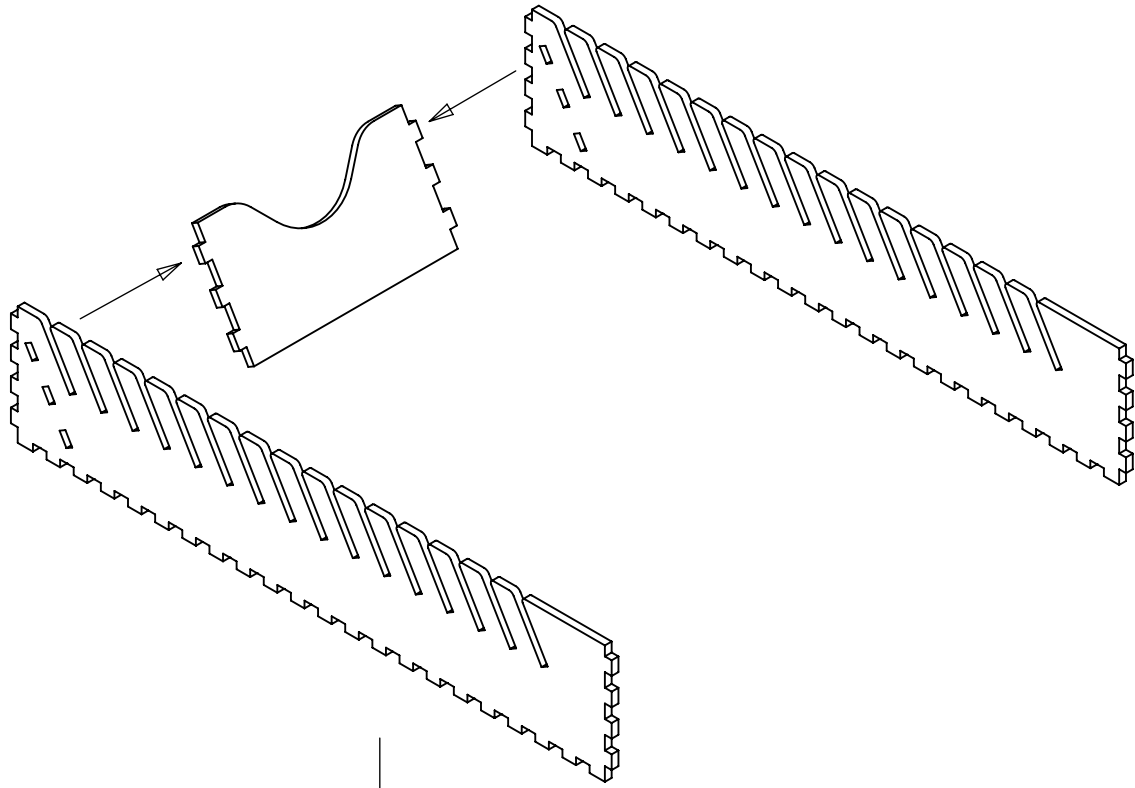
Android Box Organizer (con't)



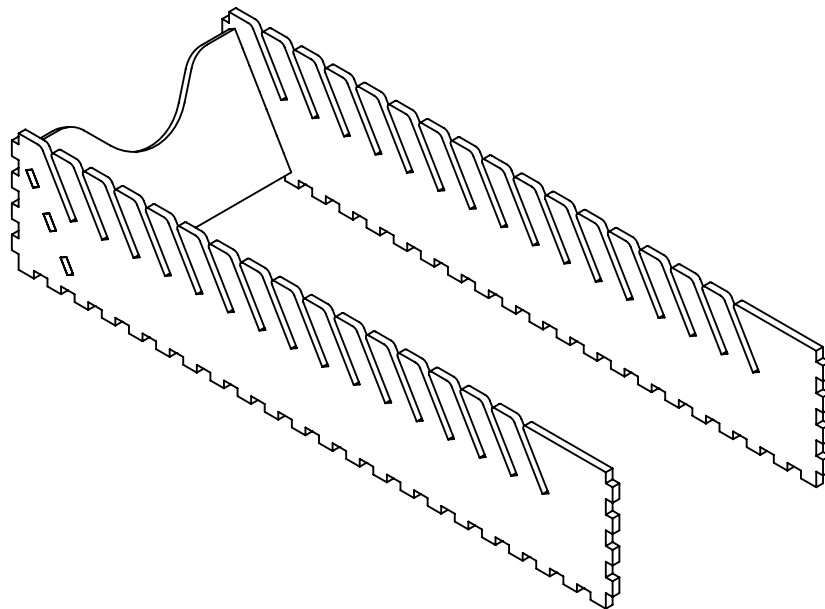
Step 7: Assemble the Tray Sides as shown and set aside until Final Assembly.



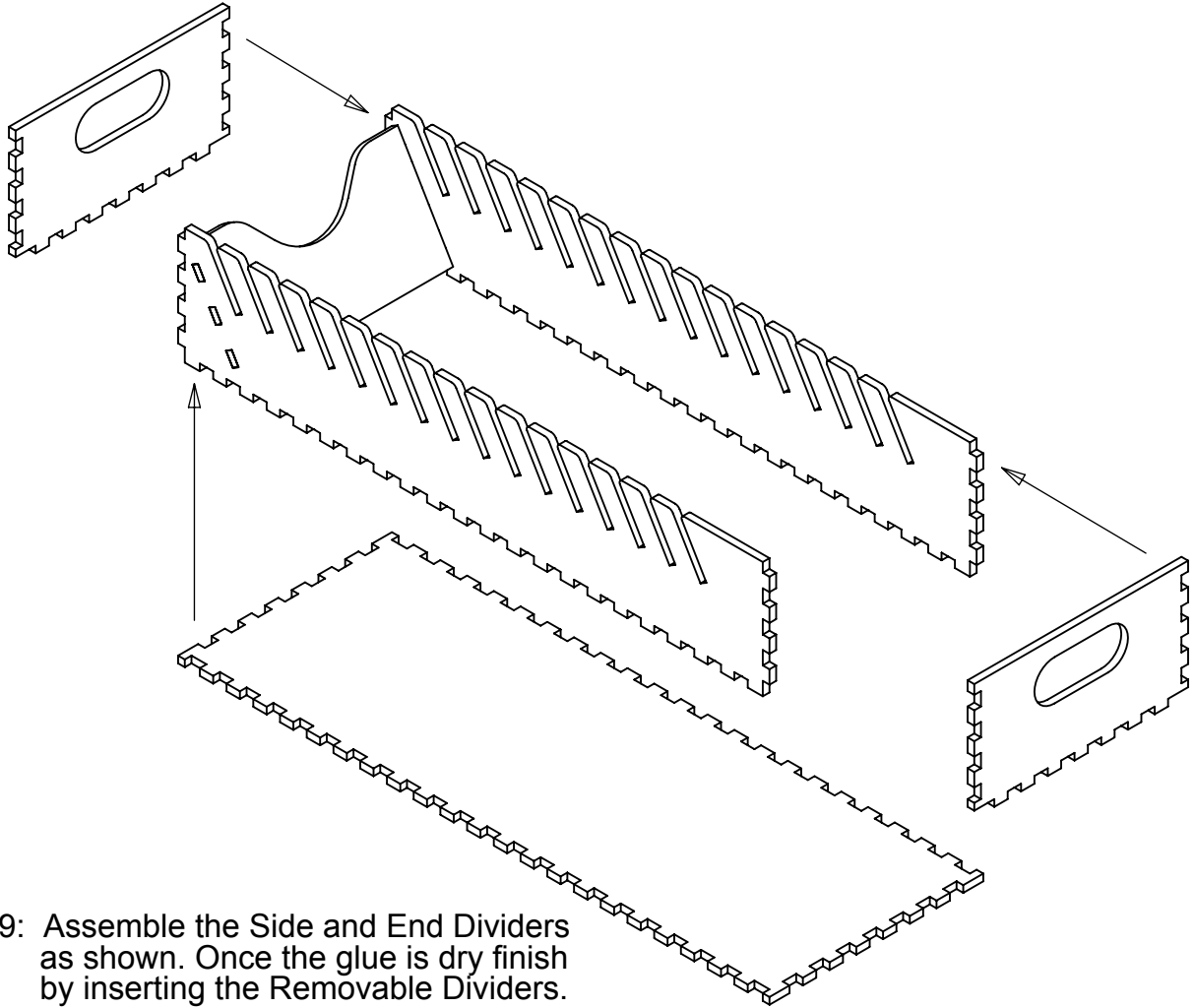
Android Box Organizer (con't)



Step 8: Assemble the Slotted Sides onto the Slanted Divider as shown.



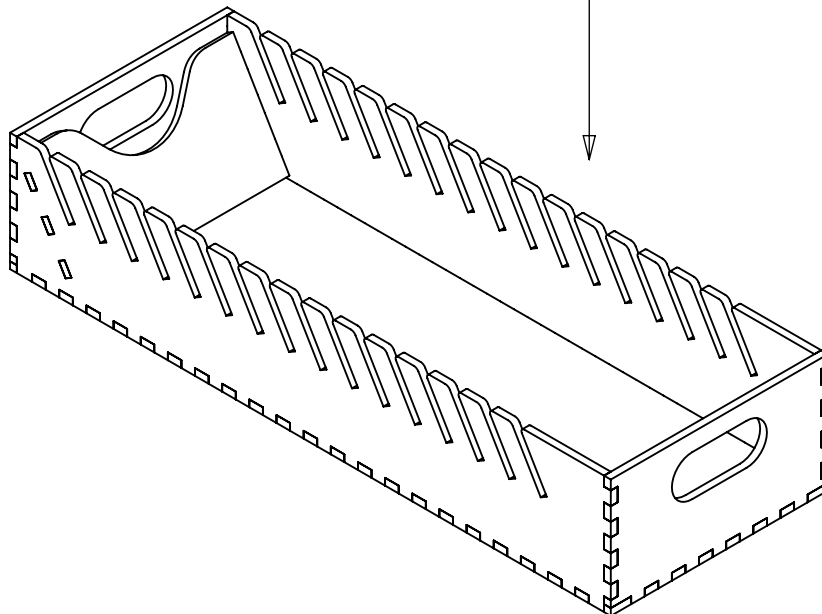
Android Box Organizer (con't)



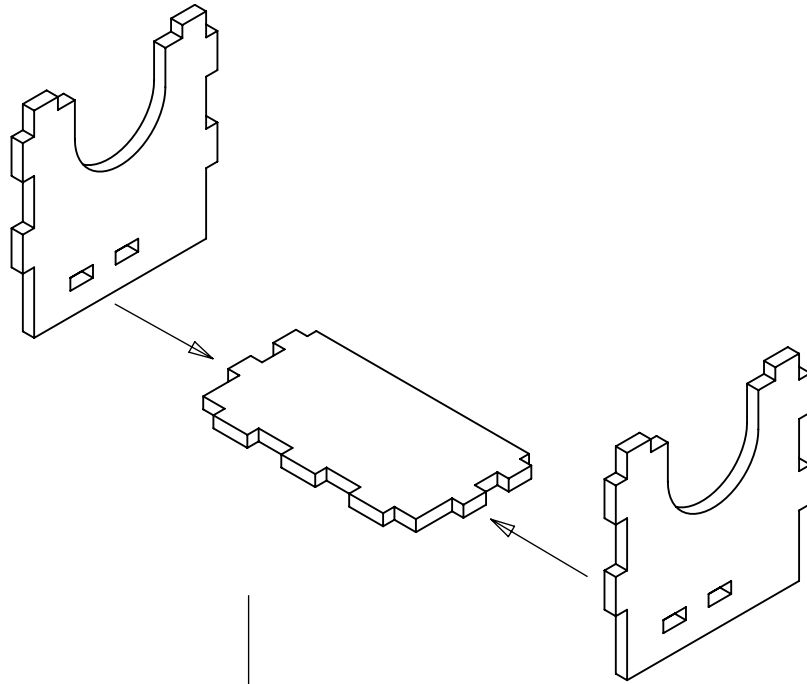
Step 9: Assemble the Side and End Dividers as shown. Once the glue is dry finish by inserting the Removable Dividers.

Set aside until Step 16.

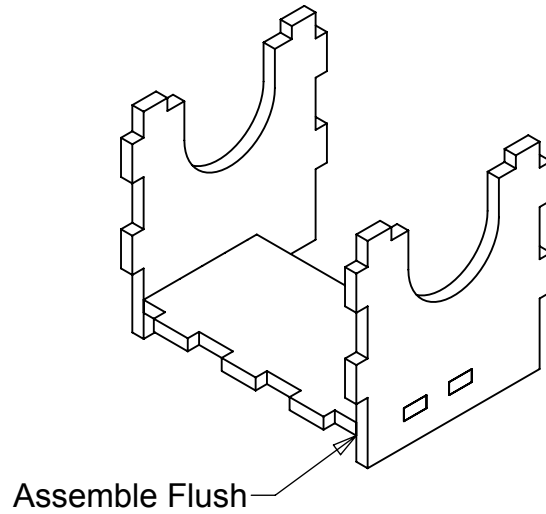
***Do not glue the dividers in place unless desired.**



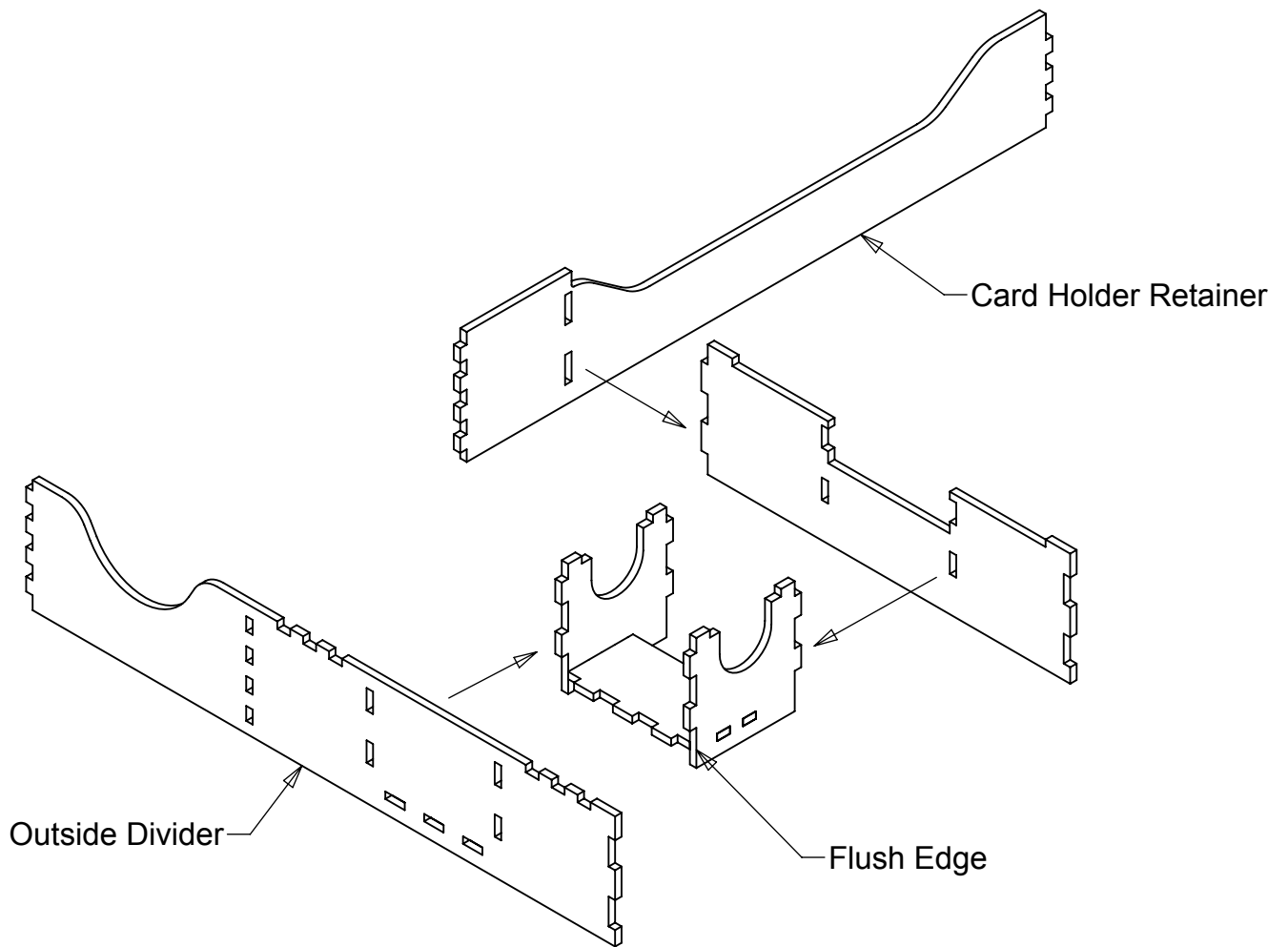
Android Box Organizer (con't)



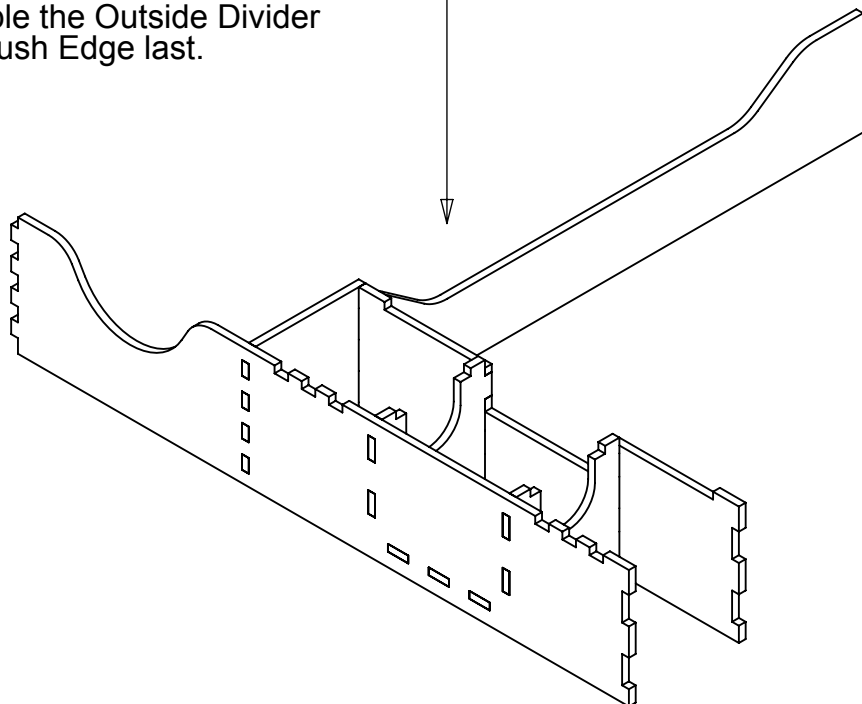
Step 10: Assemble the Token Holder sides onto the base. Make sure the rear edges are flush as shown.



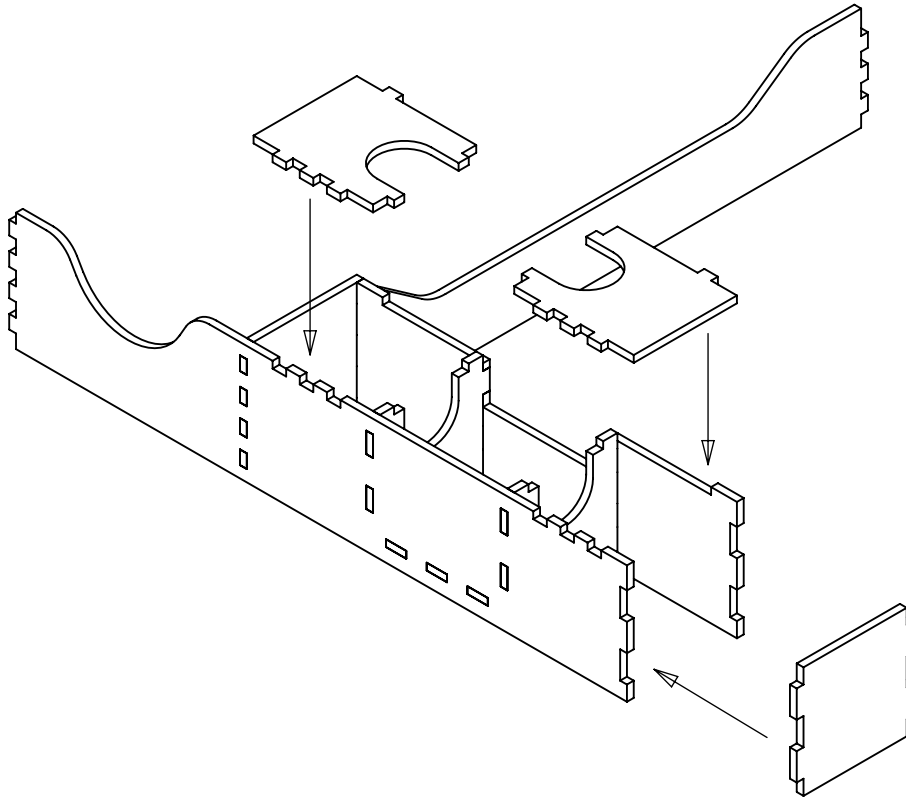
Android Box Organizer (con't)



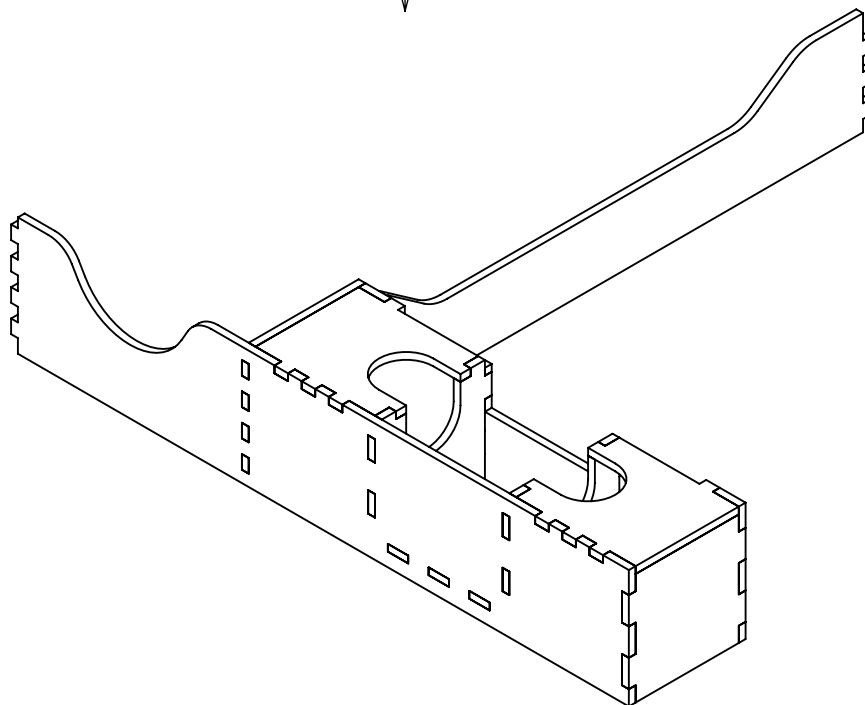
Step 11: Assemble as shown starting with the Card Holder Retainer. Assemble the Outside Divider to the Flush Edge last.



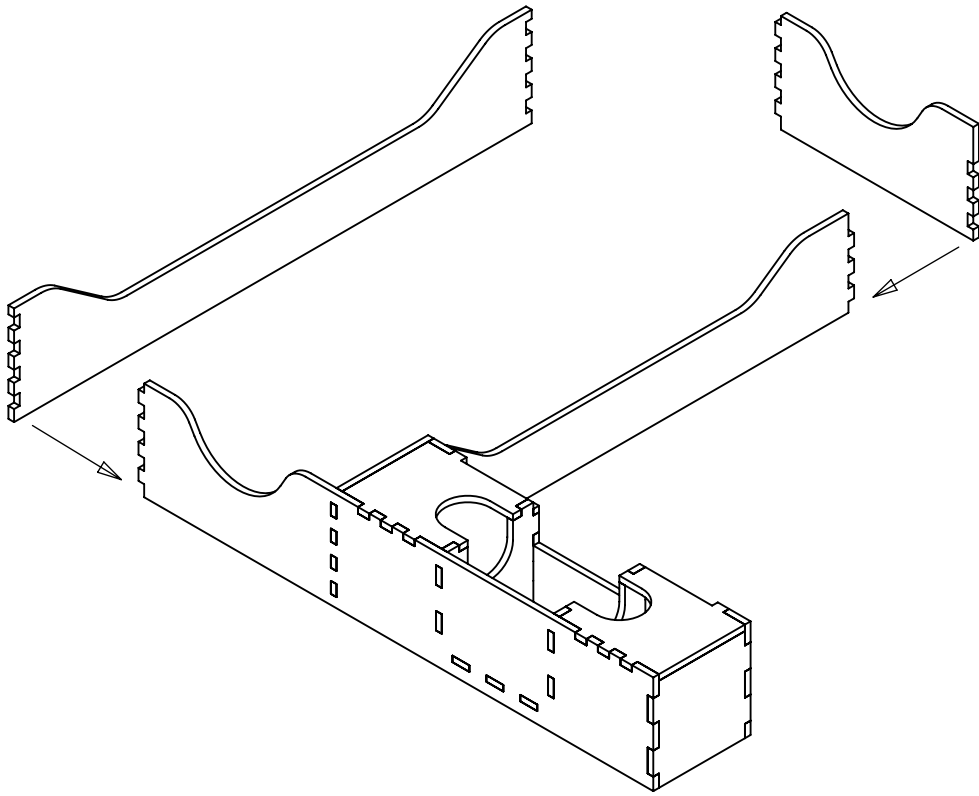
Android Box Organizer (con't)



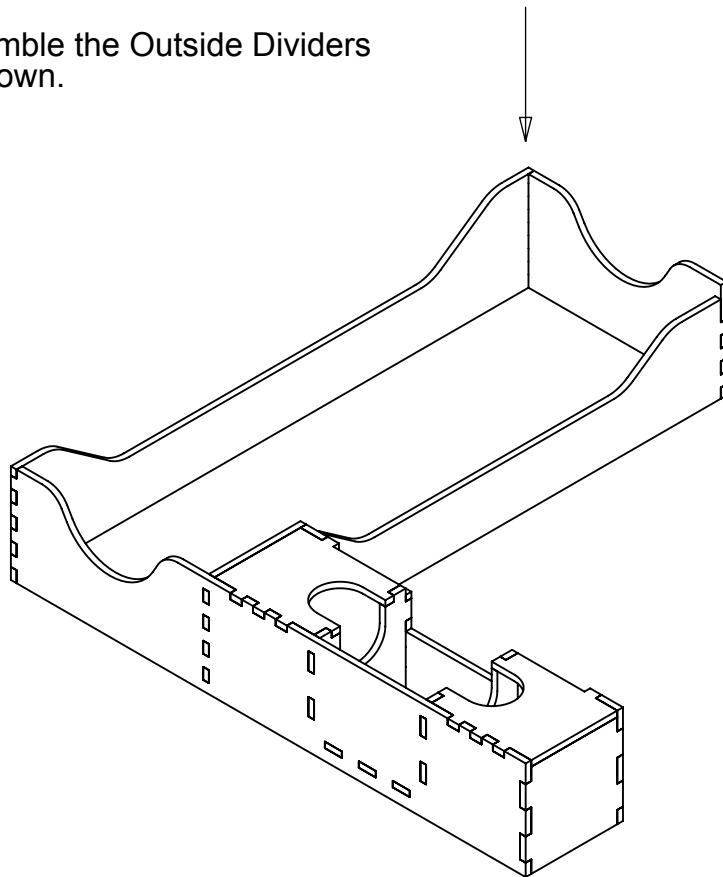
Step 12: Assemble Top and End Covers as shown.



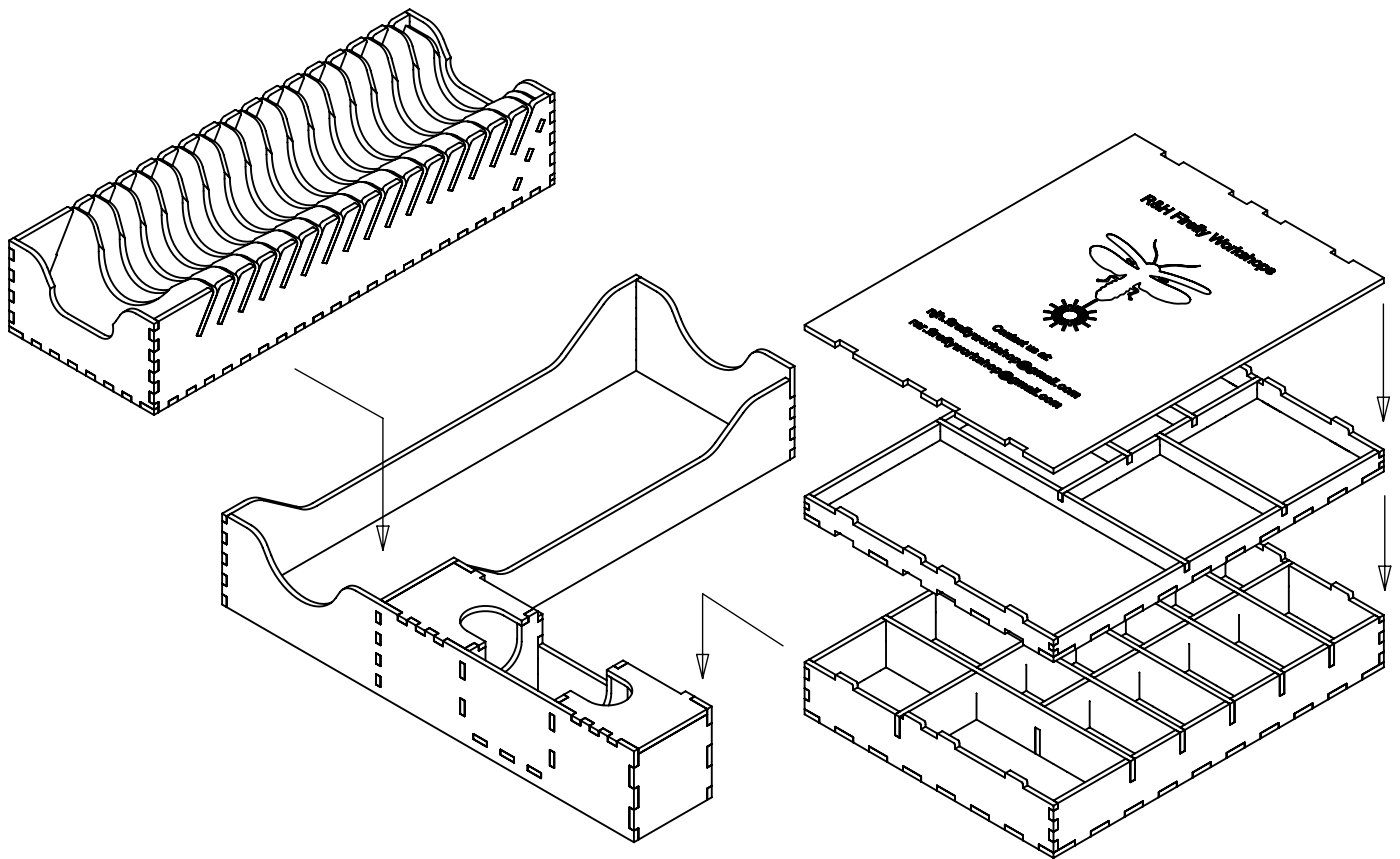
Android Box Organizer (con't)



Step 13: Assemble the Outside Dividers as shown.



Android Box Organizer (con't)



Step 14: Finish by inserting the Card and Token Trays into the main organizer assembly as shown. Do not glue the trays in place.

***Do not glue the dividers in place unless desired.**